

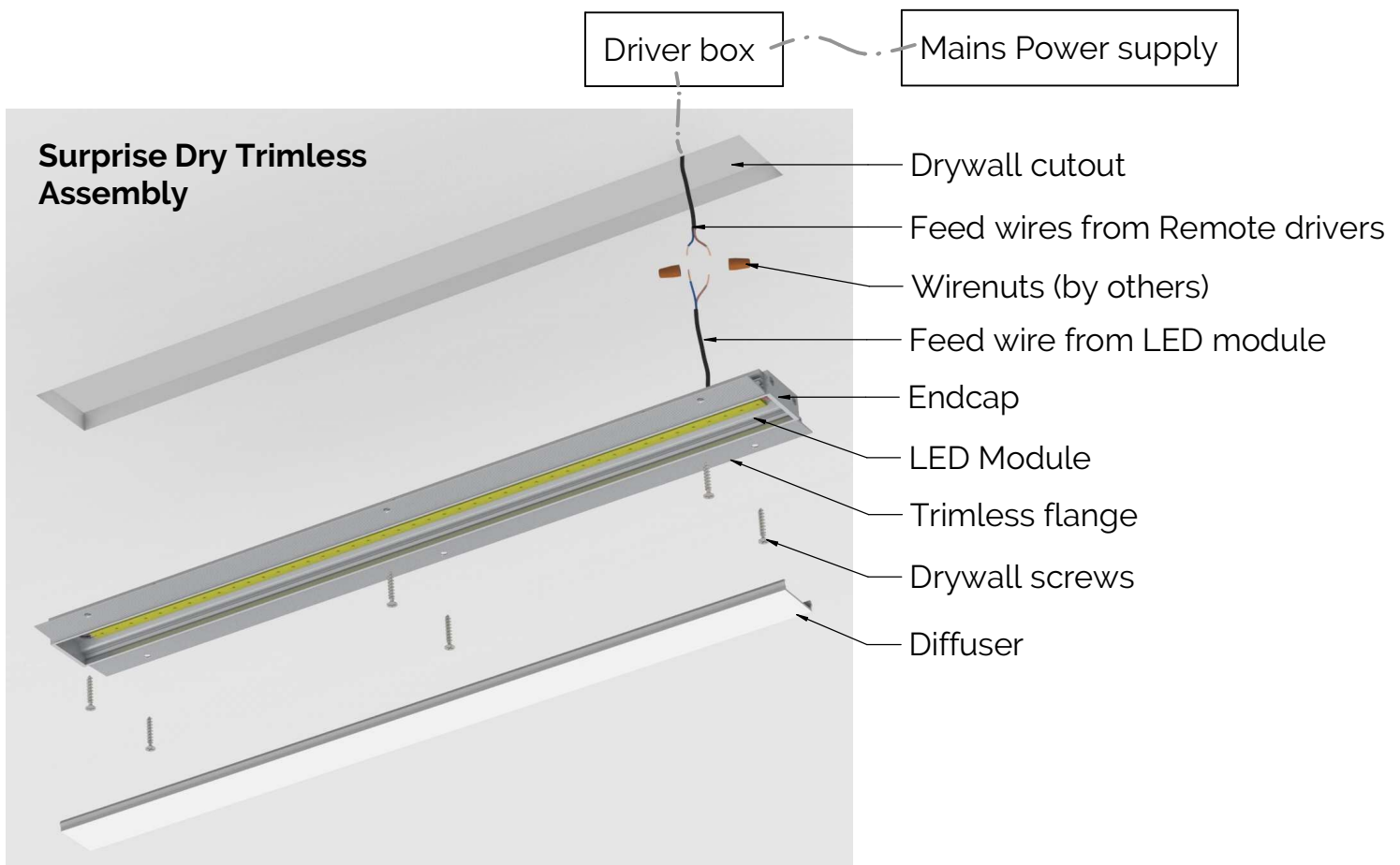
Surprise Dry Trimless

Installation Instructions

Please read these instructions completely before attempting this installation.

CAUTION-RISK OF FIRE. THIS PRODUCT MUST BE INSTALLED IN ACCORDANCE WITH THE APPLICABLE INSTALLATION CODE BY A PERSON FAMILIAR WITH THE CONSTRUCTION AND OPERATION OF THE PRODUCT AND HAZARDS INVOLVED.

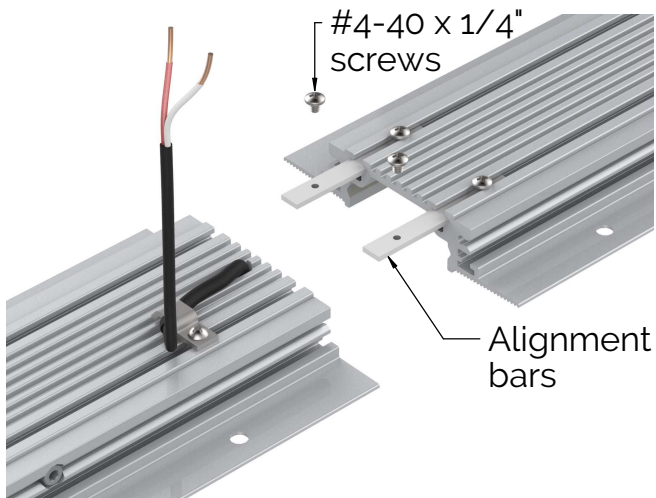
1. Disconnect electrical power from lighting circuit before installation.
2. Make sure LED drivers, Linear LED Modules and all other fixture components are present.
3. This installation assumes Class 2 two conductor wires have been run from fixture mount location to LED driver enclosure location.
4. LED driver enclosure must be installed in an accessible, dry and well ventilated location, using the screw holes provided in enclosure.
5. Make wire connection from LED driver to two conductor Class 2 wire, running in ceiling with wire nuts (not included).



6. Cutout drywall as per Submittal or fixture length to be installed.
7. Connect feed wires from Remote drivers to feed wires from LED module using wire nuts (not provided).

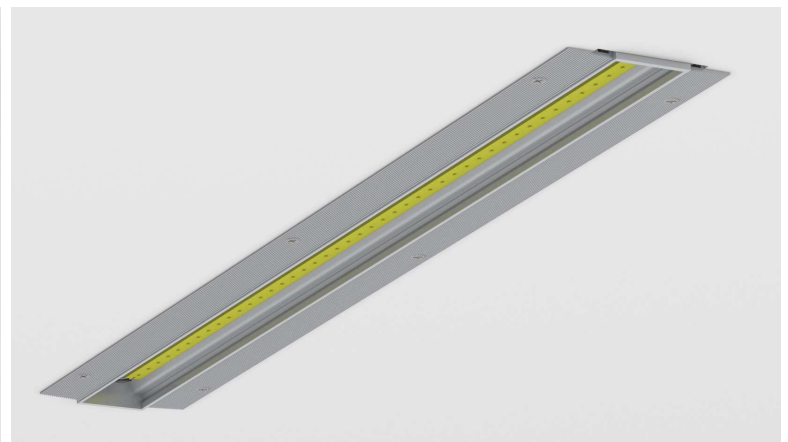
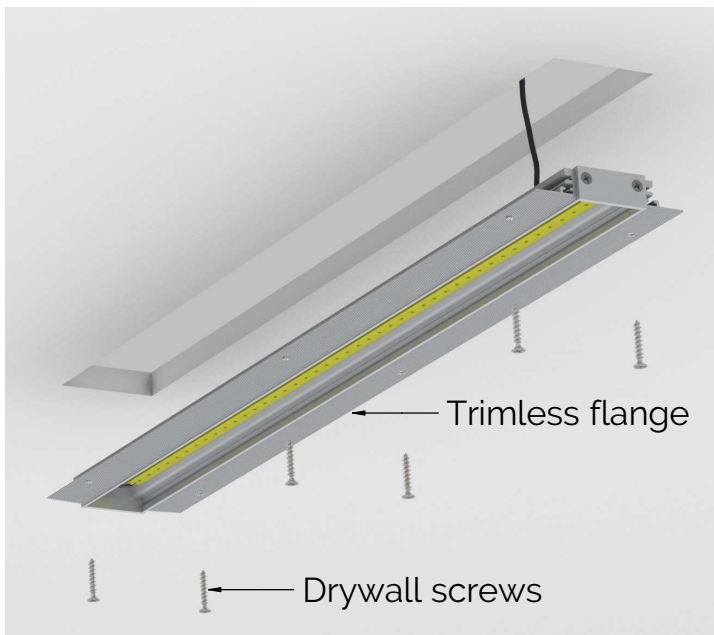
Surprise Dry Trimless

Installation Instructions

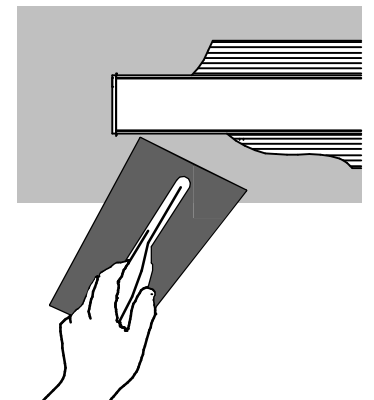
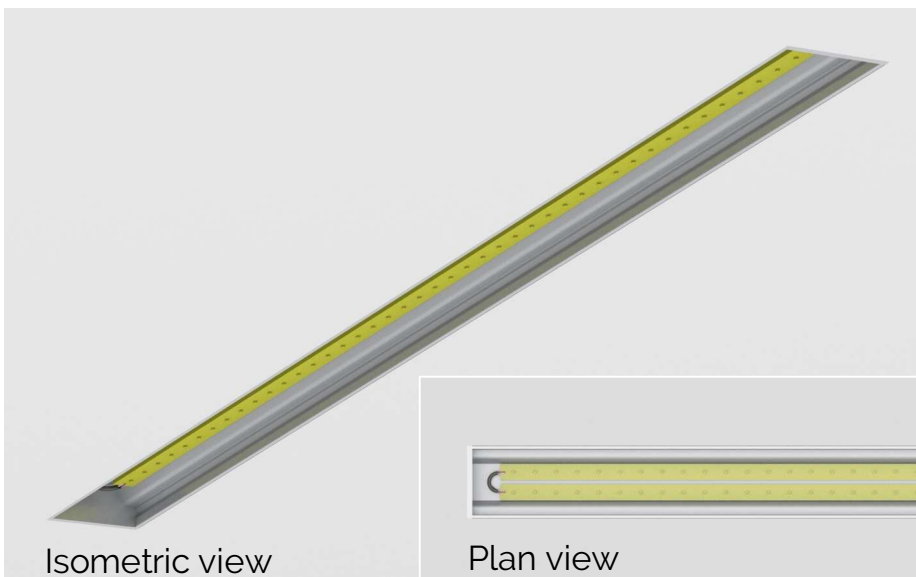


Step 8 : Aligning multiple straight LED modules

8. If installing multiple segments in continuous straight run, align modules together using alignment bars and #4-40 x 1/4" screws provided at top.
9. Insert the fixture into drywall opening till trimless flanges touch the drywall surface. Make sure there are no pinched or exposed wires.
10. Secure the fixture to drywall using drywall screws at marked locations on the flanges at both sides. Make sure fixture is well secured to ceiling.
11. Finish ceiling by applying mud to trimless flange.



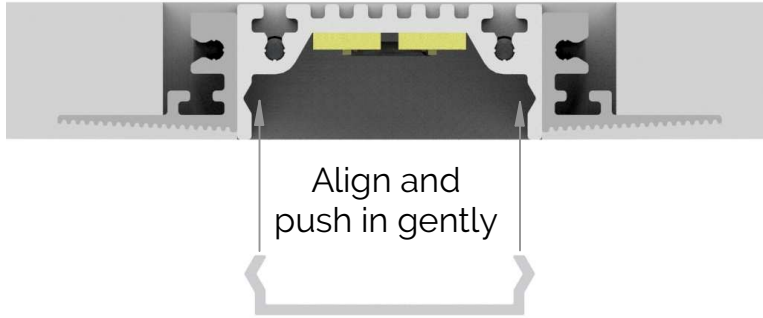
Step 9-10 : Securing fixture to drywall



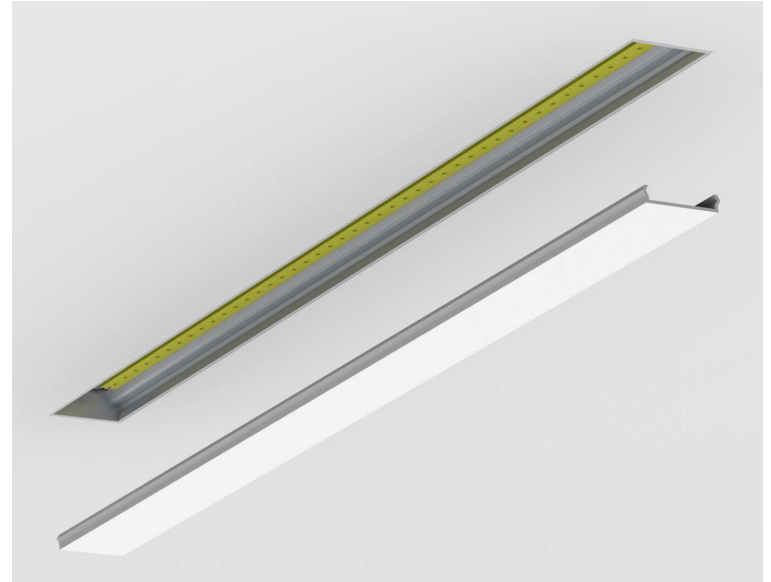
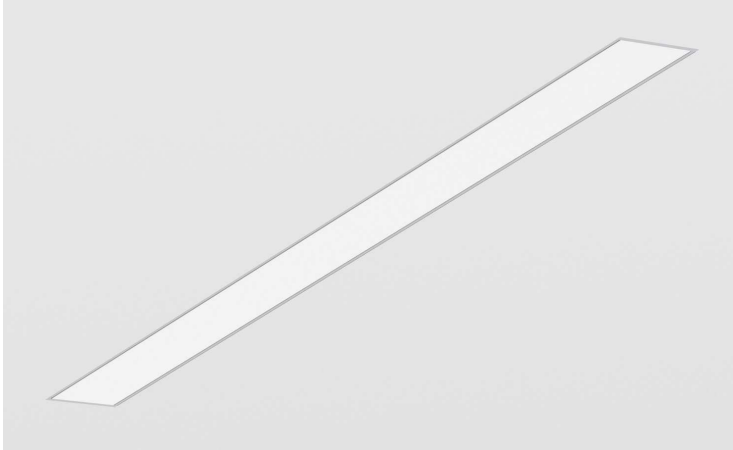
Step 11 : Applying Mud

Surprise Dry Trimless

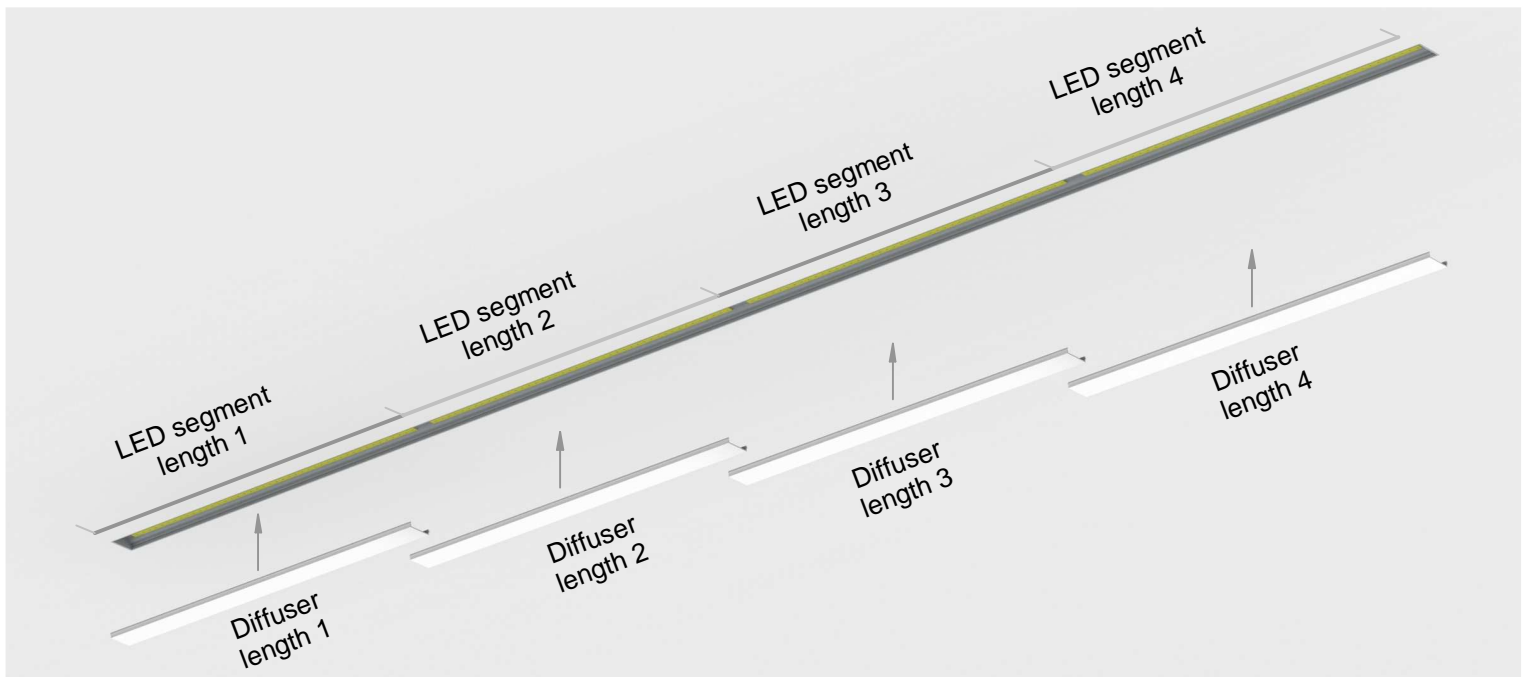
Installation Instructions



12. Insert the diffuser into LED module by aligning to center extrusion and pushing inwards gently. If installing multiple lengths, make sure to install correct length of diffuser to each LED module segment.



Step 12 : Installing diffuser



Installing same length diffuser to same length LED segment

Surprise Dry Trimless

Installation Instructions

13. Make Mains power connection to LED driver using provided connector inside driver enclosure. Make sure Mains power Ground wire is secured to green ground wire inside driver enclosure.

14. Restore Mains power.

