



archlit reserves the right to make changes without prior notice. (07.15.2022)

Surprise Recessed Trimless Continuous incorporates to a drywall ceiling, with flanges at the sides of 1" (so mud do not crack over time). A continuous diffuser, that is field cuttable, snaps in allowing runs based on a max of 8' (max logical segments to ship and manipulate at any job site). Runs will look continuous with multiple segments aligned. Installation can be horizontal (ceiling) or vertical (walls). Special angles upon request. It can connect with Surprise Ceiling (joining a wall recessed with a surface mounted fixture of 1.75" x 1.75"). Surprise Dry is a 5/8" height fixture that allow to be attached to studs. Dimmable and no dimmable versions. Only for spaces with 5/8" drywall. Can be used horizontal, vertical or angles

SDTMS

Surprise Dry Trimless

Output

27 - 2700 K 260 lumens /f 3.7 w/f

30 - 3000 K 260 lumens /f 3.7 w/f

40 - 4000 K 260 lumens /f 3.7 w/f

65 - 6500 K 260 lumens /f 3.7 w/f

27H - 2700 K 510 lumens /f 6.7 w/f

30H - 3000 K 510 lumens /f 6.7 w/f

40H - 4000 K 510 lumens /f 6.7 w/f

65H - 6500 K 510 lumens /f 6.7 w/f

3508 - 3500 K 560 lumens / ft 5.5w /ft

3505 - 3500 K 350 lumens / ft 3.1 w /ft

WhTu - White tuning 2700K @ 1050 lumens/foot

and 6500k @1200 lumens/foot 12.5 watt/foot

All Uplight versions with light will have a transparent diffuser

Use of programmable drivers allow different outputs (lumen output and load) to fix color temperature versions

Finish

WH - White

BK - Black

CU - Custom Color

Specify RAL color

Dimming Options

0 - Non Dimmable 120v

1 - Non Dimmable 277v

4 - Dimmable 0-10v (4wires, 120 or 277 v)

Surprise Dry Trimless

Surprise / Recessed

Runs

A - 1' module

B - 2' module

C - 3' module

D - 4' module

Total Run: (0 ft 0 in)

Specify length

Runs of more than 4' can be accomplish, with modules of 1', 2', 3' and 4'

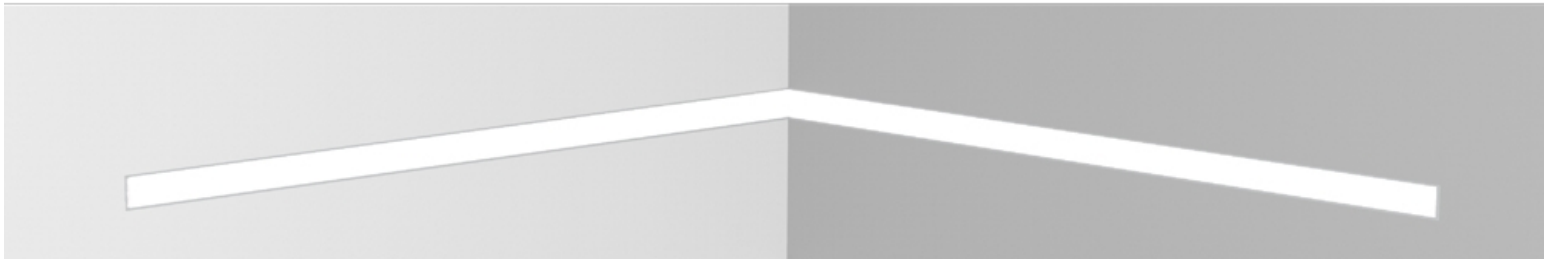
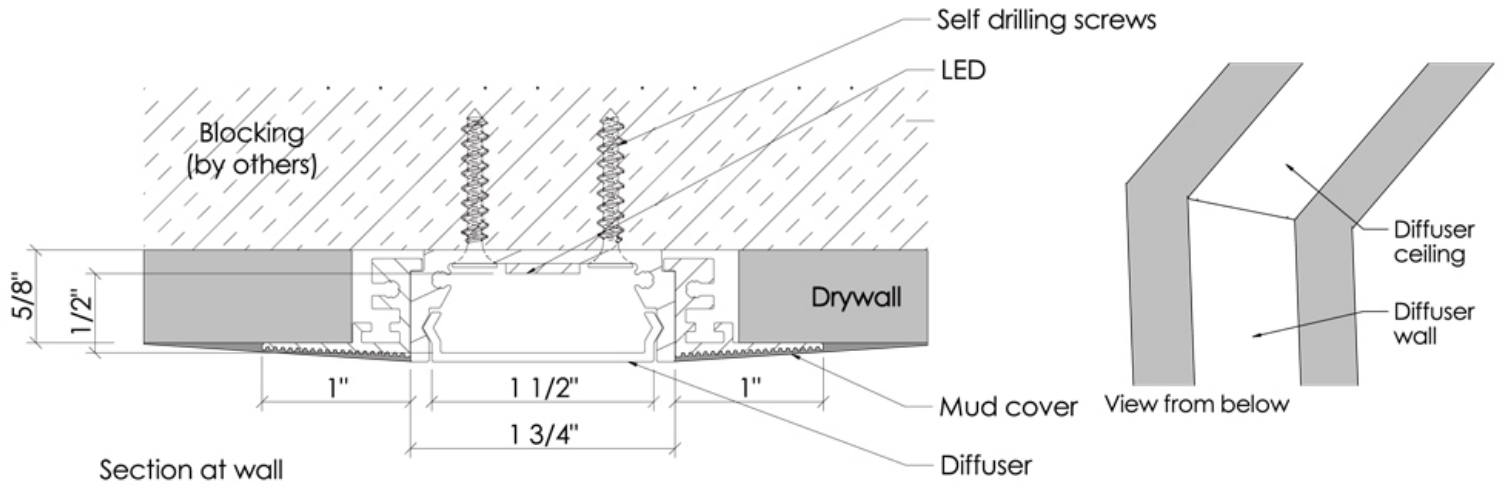
Notes:

Drivers are remote

CRI >90

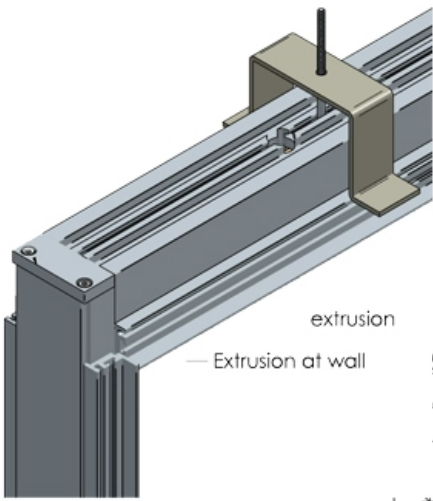
MacAdam 3 bin selection

5/8" drywall required





Surprise system with Surprise Dry (470 lumens/foot) and Surprise Recessed for General Lighting (1000 lumens/foot)

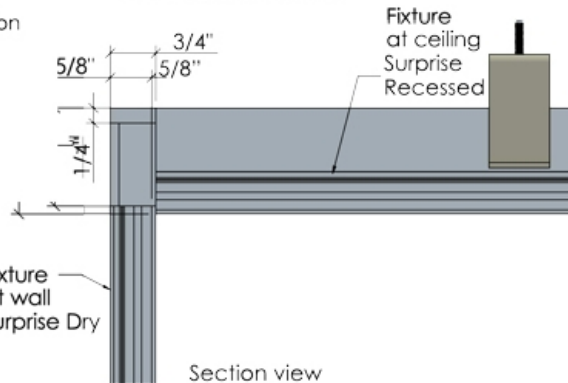


Isometric Top

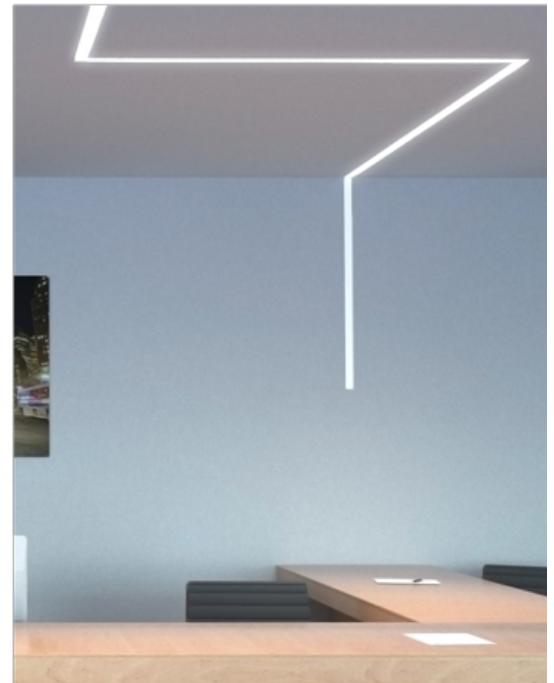
Lower output recommended for vertical applications; higher output recommended for ceiling applications-general lighting

Surprise recessed vertically (ceiling) and horizontally (walls); high output for general lighting - 3" deep - Consider joists.

Surprise Dry vertically (ceiling) and horizontally (walls); lower output - 5/8" of drywall needed - Any configuration can be considered.



Section view



Driver Boxes

