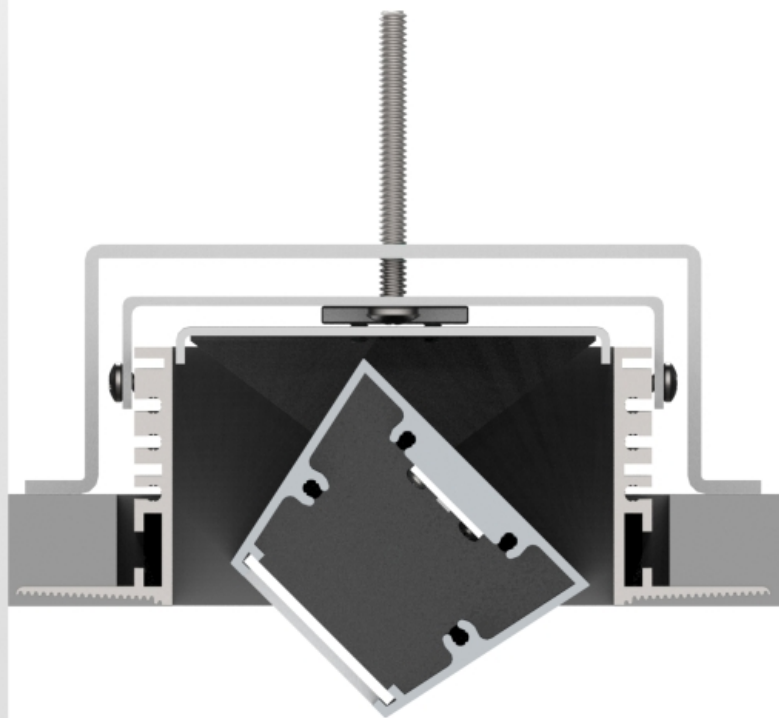
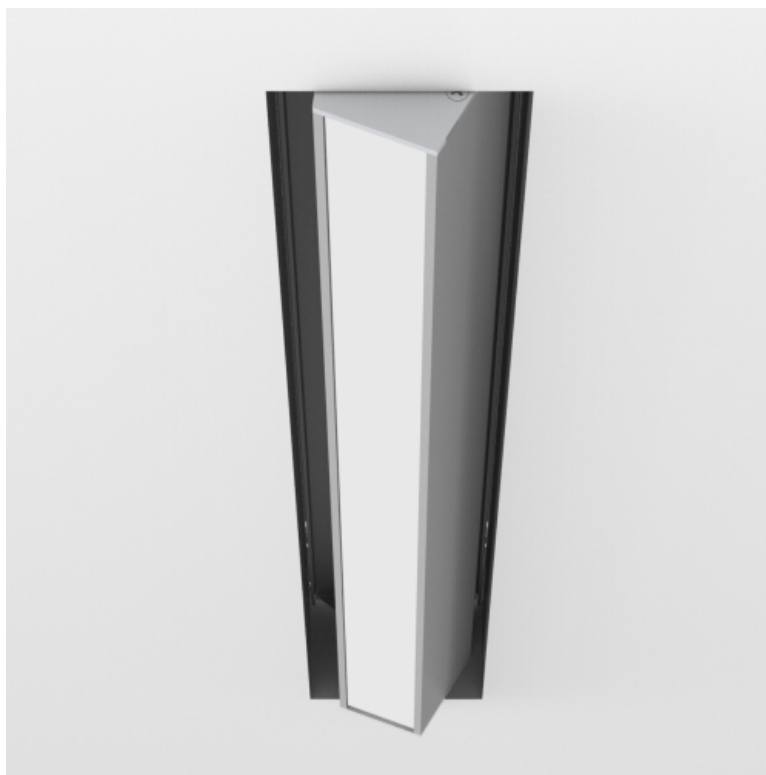


# Naive Recessed Adjustable

Naive / Recessed



archlit reserves the right to make changes without prior notice. (10.02.2020)

Naive Recessed Adjustable is a lighting system in aluminum extrusion with proprietary LED boards. Diffuser with film for not seeing LED. Programmable drivers allow the use of special outputs with the same hardware and kit (programmable at factory).

Trim and Trimless versions.

## NRA<sub>d</sub>

### Naive Recessed Adjustable

#### Lumen Output

3017 - 3000 K 1200 lumens / ft 12 w /ft

3014 - 3000 K 1000 lumens / ft 10 w /ft

3011 - 3000 K 780 lumens / ft 7.5 w /ft

3008 - 3000 K 560 lumens / ft 5.5w /ft

3005 - 3000 K 350 lumens / ft 3.1 w /ft

3517 - 3500 K 1200 lumens / ft 12 w /ft

3514 - 3500 K 1000 lumens / ft 10 w /ft

3511 - 3500 K 780 lumens / ft 7.5 w /ft

3508 - 3500 K 560 lumens / ft 5.5w /ft

3505 - 3500 K 350 lumens / ft 3.1 w /ft

WhTu - White tuning 2700K @ 1050 lumens/foot

and 6500k @1200 lumens/foot 12.5 watt/foot

All Uplight versions with light will have a transparent diffuser

Use of programmable drivers allow different outputs (lumen output and load) to fix color temperature versions

#### Finish

WH - White

BK - Black

CU - Custom Color

Specify RAL color

#### Dimming

0 - Non dimmable 120v

1 - Non dimmable 277v

4 - Dimmable 0-10v (4wires, 120 or 277 v)



# Naive Recessed Adjustable

Naive / Recessed

## Flange

Ts - Trimless

Tm - Trim

## Runs

A - 1' nominal 11 7/8"

B - 2' nominal 23 7/8"

C - 3' nominal 34 3/8"

D - 4' nominal 46 3/8"

E - 5' nominal 56 7/8"

F - 6' nominal 68 7/8"

G - 7' nominal 79 3/8"

H - 8' nominal 91 3/4"

Total Run: (0 ft 0 in)

Extrusions max length is 8' nominal

Product can be adjust from nominal sizes in multiples of 1.5".

Factory will produce submittals

archlit recommends 4' max length for transport

In runs add 1/8" between modules. archlit generates submittals.

Lengths from spec sheet for design purposes

## Emergency

00 - No Emergency

EM - Emergency

Specify qty only if Emergency

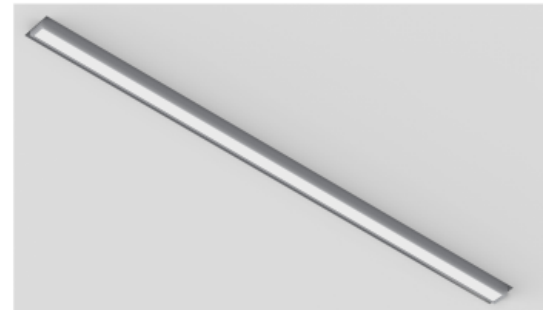
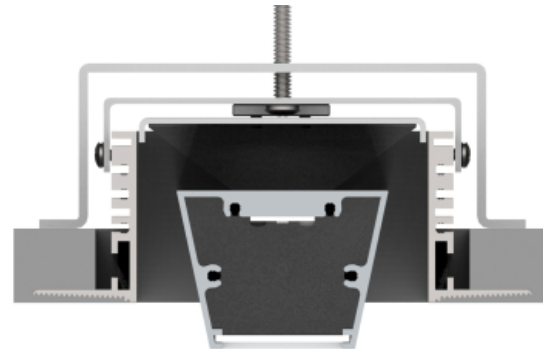
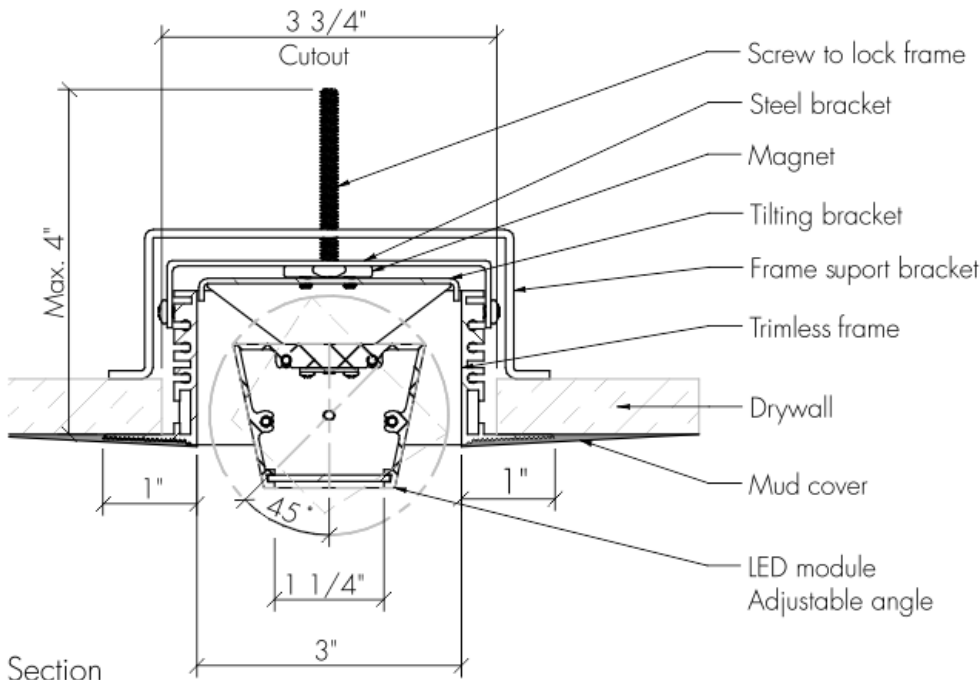
Specify quantity of 4' nominal runs in runs

## Notes:

Drivers remote

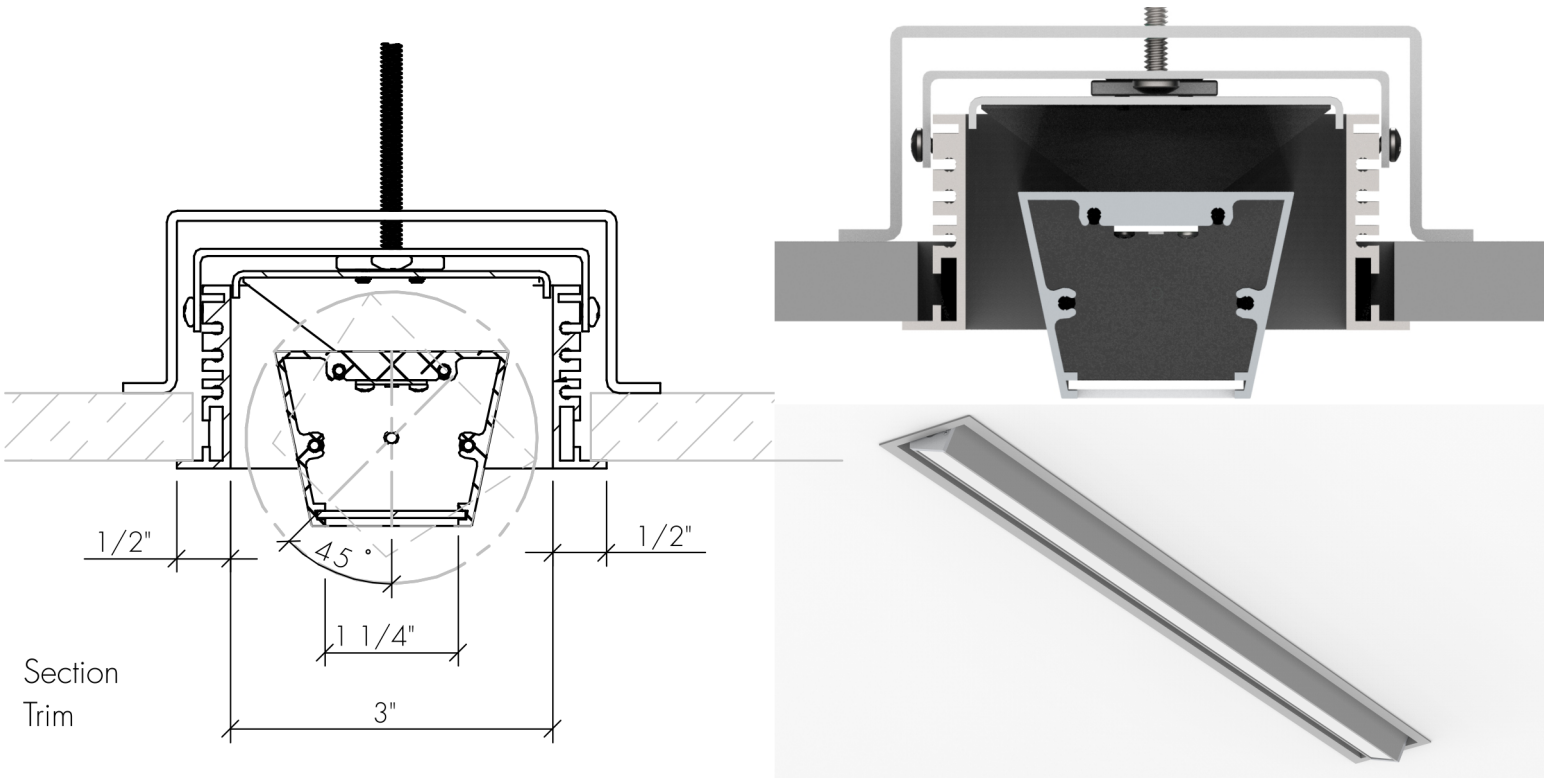
Max distance to drivers 80'

MacAdam 3, more than 90 CRI LED



# Naive Recessed Adjustable

Naive / Recessed



Section  
Trim



Runs



# Naive Recessed Adjustable

Naive / Recessed

archlit generates submittals for runs. size of boxes  
TBD in documentation

