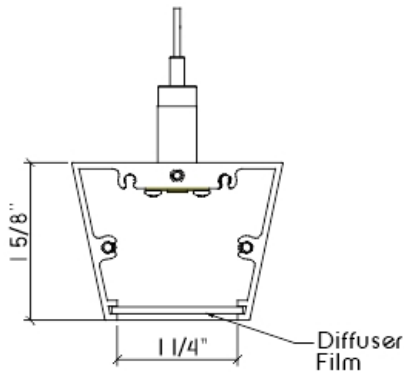
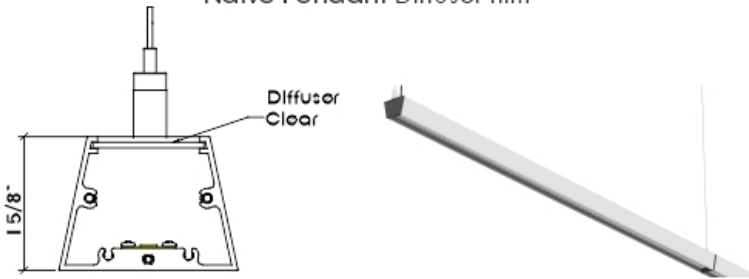


Naive Pendant

Naive / Pendant



Naive Pendant Diffuser film



Naive Pendant Indirect Clear Protection



archlit reserves the right to make changes without prior notice. (08.05.2020)

Naive Pendant is a lighting system in aluminum extrusion with proprietary LED boards. With diffuser including special film that hides the dots of the LED boards. Programmable drivers allow the use of special output. Levels are suggested ones for covering a huge spectrum

NaPend

Naive Pendant

Lumen Output

- 3017 - 3000 K 1200 lumens / ft 12 w /ft
- 3014 - 3000 K 1000 lumens / ft 10 w /ft
- 3011 - 3000 K 780 lumens / ft 7.5 w /ft
- 3008 - 3000 K 560 lumens / ft 5.5w /ft
- 3005 - 3000 K 350 lumens / ft 3.1 w /ft
- 3517 - 3500 K 1200 lumens / ft 12 w /ft
- 3514 - 3500 K 1000 lumens / ft 10 w /ft
- 3511 - 3500 K 780 lumens / ft 7.5 w /ft
- 3508 - 3500 K 560 lumens / ft 5.5w /ft
- 3505 - 3500 K 350 lumens / ft 3.1 w /ft

WhTu - White tuning 2700K @ 1050 lumens/foot
and 6500k @1200 lumens/foot 12.5 watt/foot

All Uplight versions with light will have a transparent diffuser
Use of programmable drivers allow different outputs (lumen output
and load) to fix color temperature versions

Finish

- WH - White
- BK - Black
- CU - Custom Color
Specify RAL color
- CU Ec - End caps Custom Color
Specify RAL color. difference in costs apply
End caps black unless specified.

Dimming

- O - Non dimmable 120v
- 1 - Non dimmable 277v
- 4 - Dimmable 0-10v (4wires, 120 or 277 v)



Naive Pendant

Naive / Pendant

Lighting Output Direction

dL - Direct Lighting aiming down

iL - Indirect Lighting aiming Up

iL includes clear lens for dust protection

Applies for the entire run

Runs

B - 2' nominal 24 1/4"

C - 3' nominal 34 3/4"

D - 4' nominal 46 3/4"

E - 5' nominal 57 1/4"

F - 6' nominal 69 1/4"

G - 7' nominal 79 3/4"

H - 8' nominal 91 3/4"

Total Run: (0 ft 0 in)

Extrusions max length is 8' nominal

Product can be adjust from nominal sizes in multiples of 1.5".

Factory will produce submittals

archlit recommends 4' max for transport

Canopy

RD - Round 4 1/4"

SQ - Square Plate 4 1/4" x 4 1/4"

Suspension Aircraft Cable

36 - 36" max

100 - 100" max

Emergency

00 - No Emergency

EM - Emergency

Specify qty only if Emergency

Specify quantity of 4' nominal runs in runs

Notes:

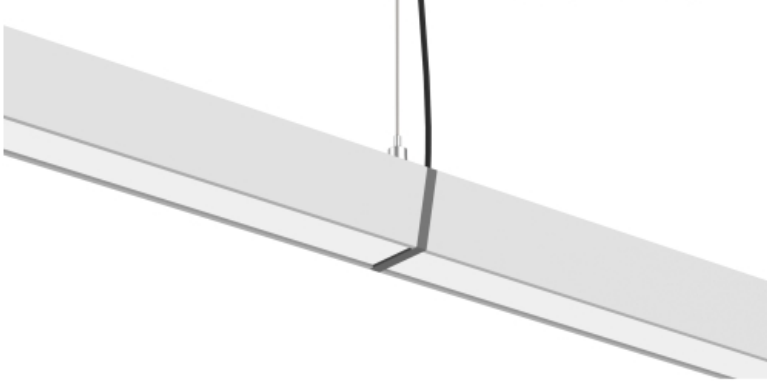
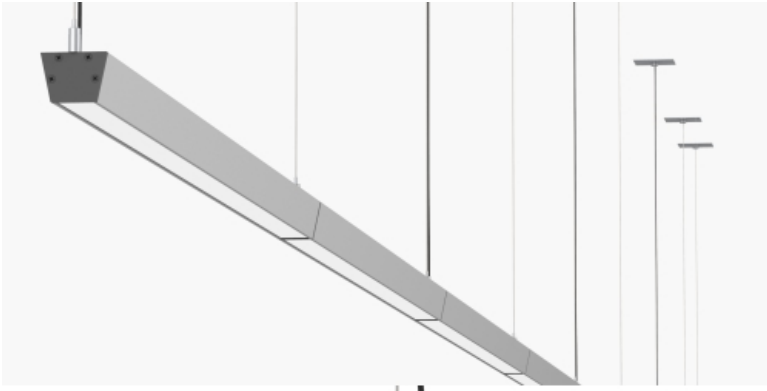
Drivers remote

Max distance to drivers 80'



Naive Pendant

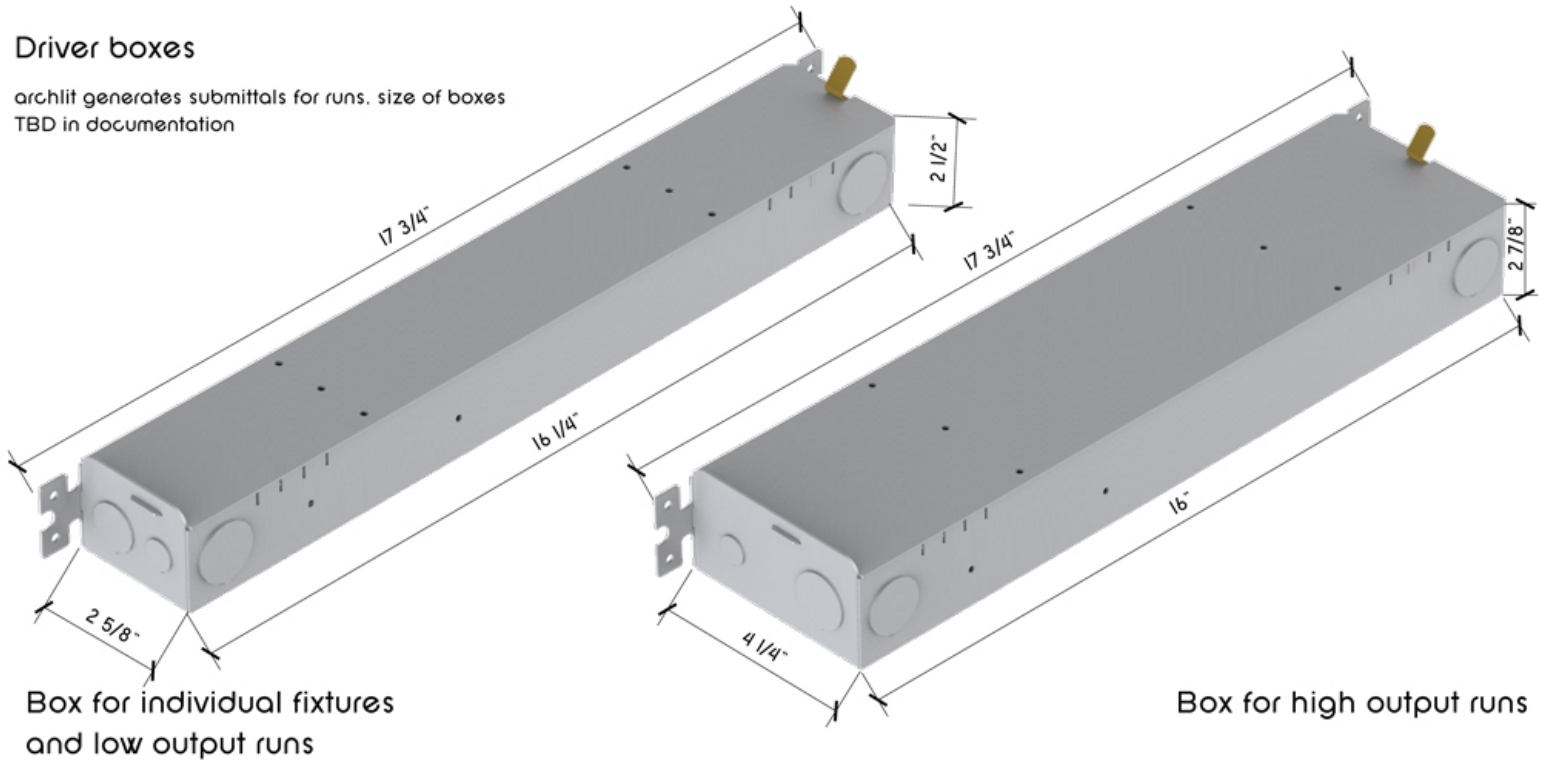
Naive / Pendant





Driver boxes

archlit generates submittals for runs. size of boxes
TBD in documentation



Box for individual fixtures
and low output runs

Box for high output runs

