



archlit reserves the right to make changes without prior notice. (02.21.2022)

LeeSti Triangle Pendant, extruded aluminum minimal design lighting fixture with remote drivers (max 80' from fixture).

3 Lighting modules can be downlight, Uplight or a mix of them

Powder-coated finish and diffuser protected with film for even illumination at highest lumen output. 1,200 lumens delivered per foot, 12.5w/foot. Dimmable and non dimmable configurations. Programmable drives (at factory) give a flexible use of the product.

LePenTri

LeeSti Pendant Triangle

Lumen Output

3017 - 3000 K 1200 lumens / ft 12 w /ft

3014 - 3000 K 1000 lumens / ft 10 w /ft

3011 - 3000 K 780 lumens / ft 7.5 w /ft

3008 - 3000 K 560 lumens / ft 5.5w /ft

3005 - 3000 K 350 lumens / ft 3.1 w /ft

3517 - 3500 K 1200 lumens / ft 12 w /ft

3514 - 3500 K 1000 lumens / ft 10 w /ft

3511 - 3500 K 780 lumens / ft 7.5 w /ft

3508 - 3500 K 560 lumens / ft 5.5w /ft

3505 - 3500 K 350 lumens / ft 3.1 w /ft

WhTu - White tuning 2700K @ 1050 lumens/foot

and 6500k @1200 lumens/foot 12.5 watt/foot

All Uplight versions with light will have a transparent diffuser

Use of programmable drivers allow different outputs (lumen output and load) to fix color temperature versions

Light Modules Orientation

LoDo - Downlight

LoUp - Uplight

Specify qty of modules

Sample

(3) LoDo for all Downlights

(3) LoUp for all Uplights

(2) LoDo + (1)Uplight

Finish

WH - White

BK - Black

CU - Custom Specify RAL color

LeeSti Triangle Pendant

LeeSti / Pendant

Dimming

4 - Dimmable 0-10v (4wires, 120 or 277 v)

0 - Non Dimmable 120v

1 - Non Dimmable 277v

Fixture Sides Length

C - 3' nominal 36 7/8"

D - 4' nominal 48 7/8"

E - 5' nominal 59 3/8"

F - 6' nominal 71 3/8"

G - 7' nominal 81 5/8"

H - 8' nominal 93 5/8"

End caps add 1/4" for each

Canopy

SQ - Square Plate 4" x 4"

RD - Round 4" x 4" Jbox

Suspension Aircraft Cable

36 - 36" max

100 - 100"

Emergency

00 - No Emergency

EM - Emergency module max. 48" nominal

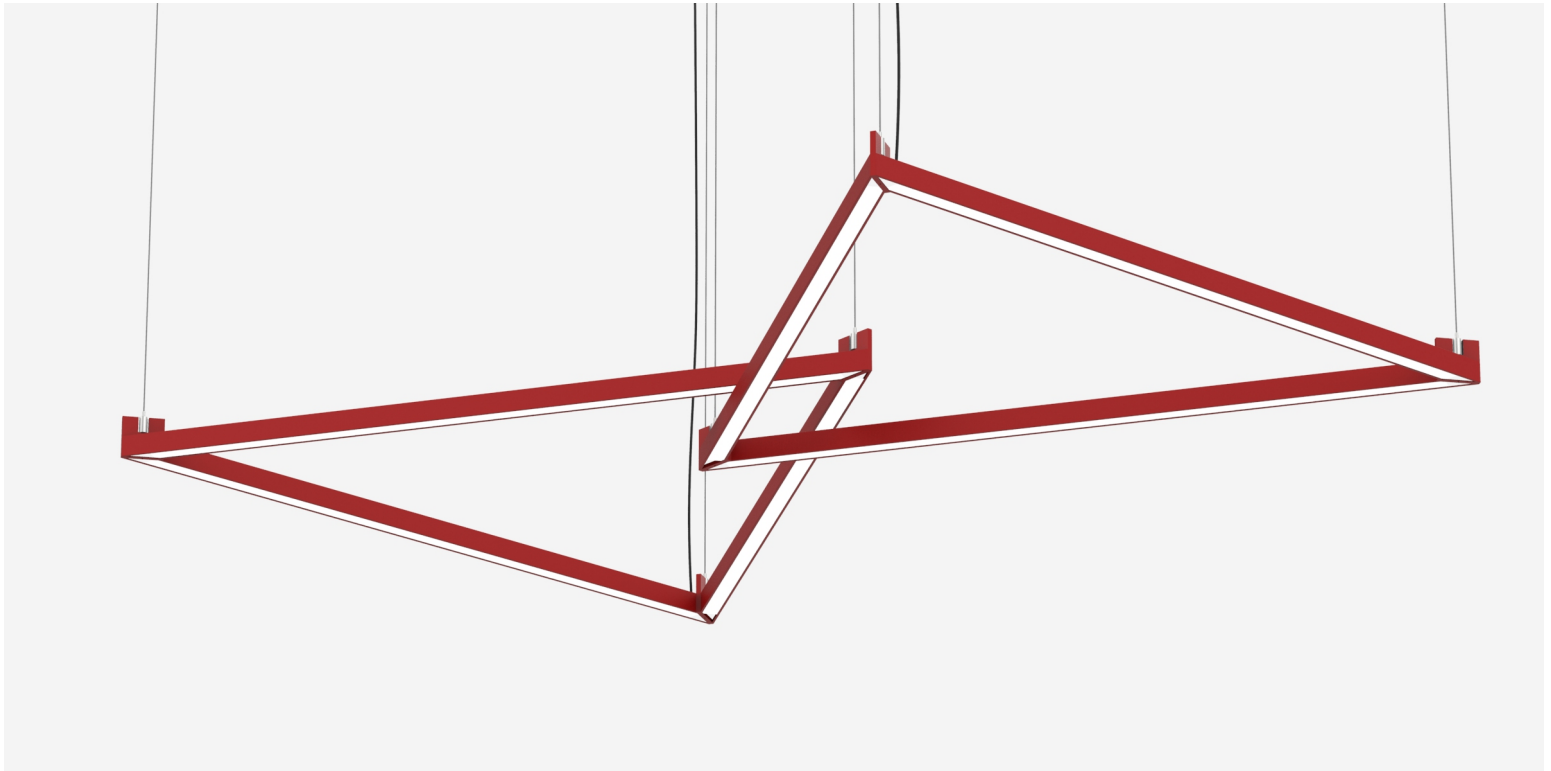
Notes:

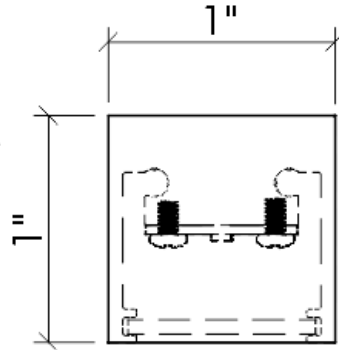
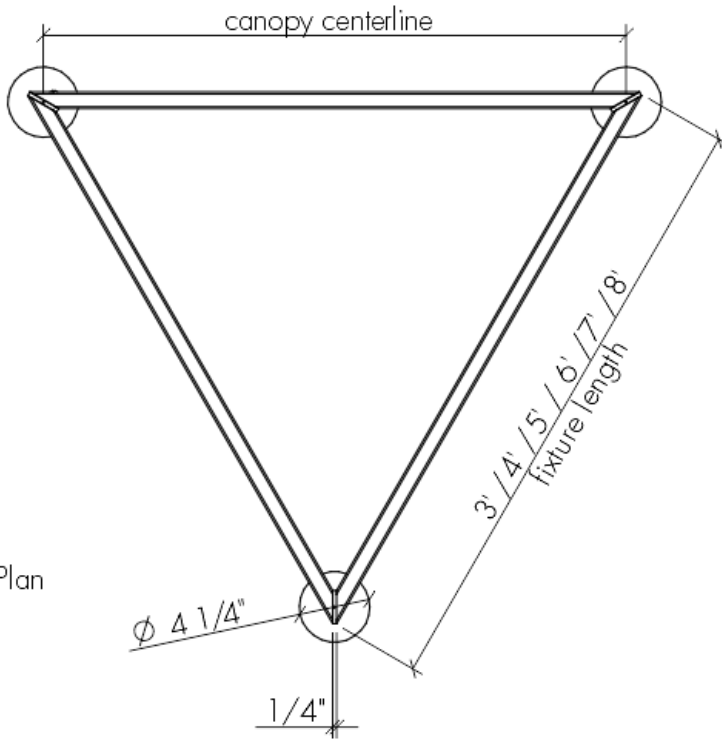
Drivers are Remote.

Max distance to drivers 80'

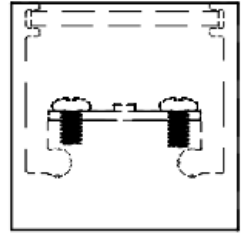
CRI more than 90

McAdam 3 bin





Direct



Indirect

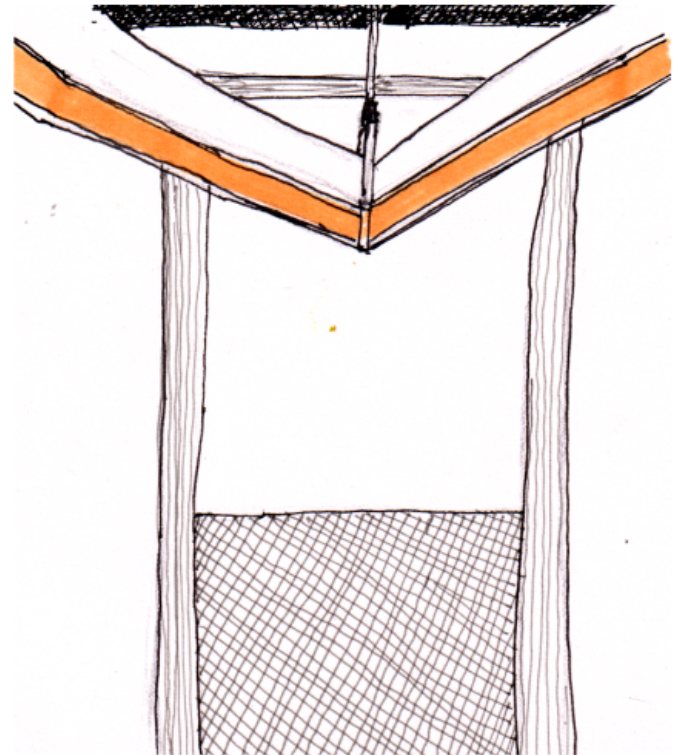
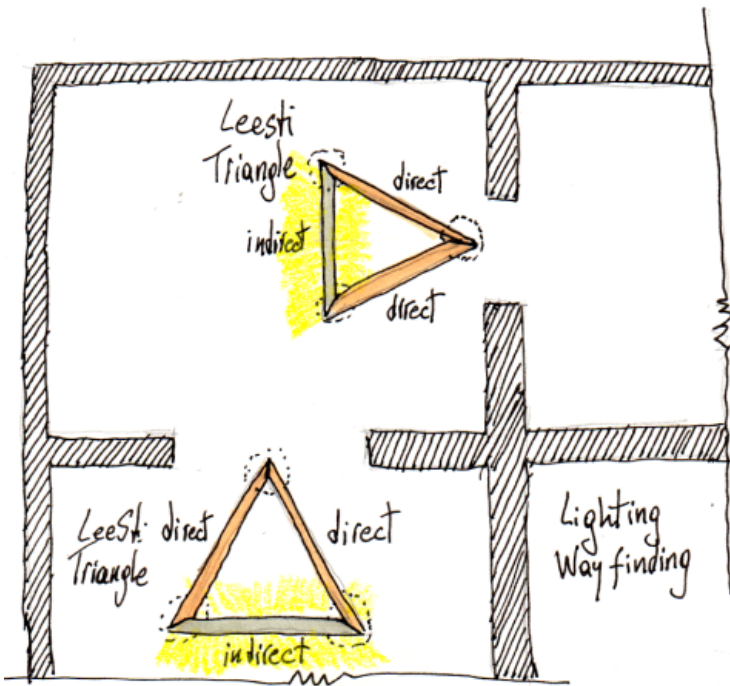
Canopy CntrLine	Fixture length
3' - 35-1/8"	3' - 36-7/8"
4' - 47-1/8"	4' - 48-7/8"
5' - 57-5/8"	5' - 59-3/8"
6' - 69-5/8"	6' - 71-3/8"
7' - 80-1/8"	7' - 81-5/8"
8' - 92-1/8"	8' - 93-5/8"

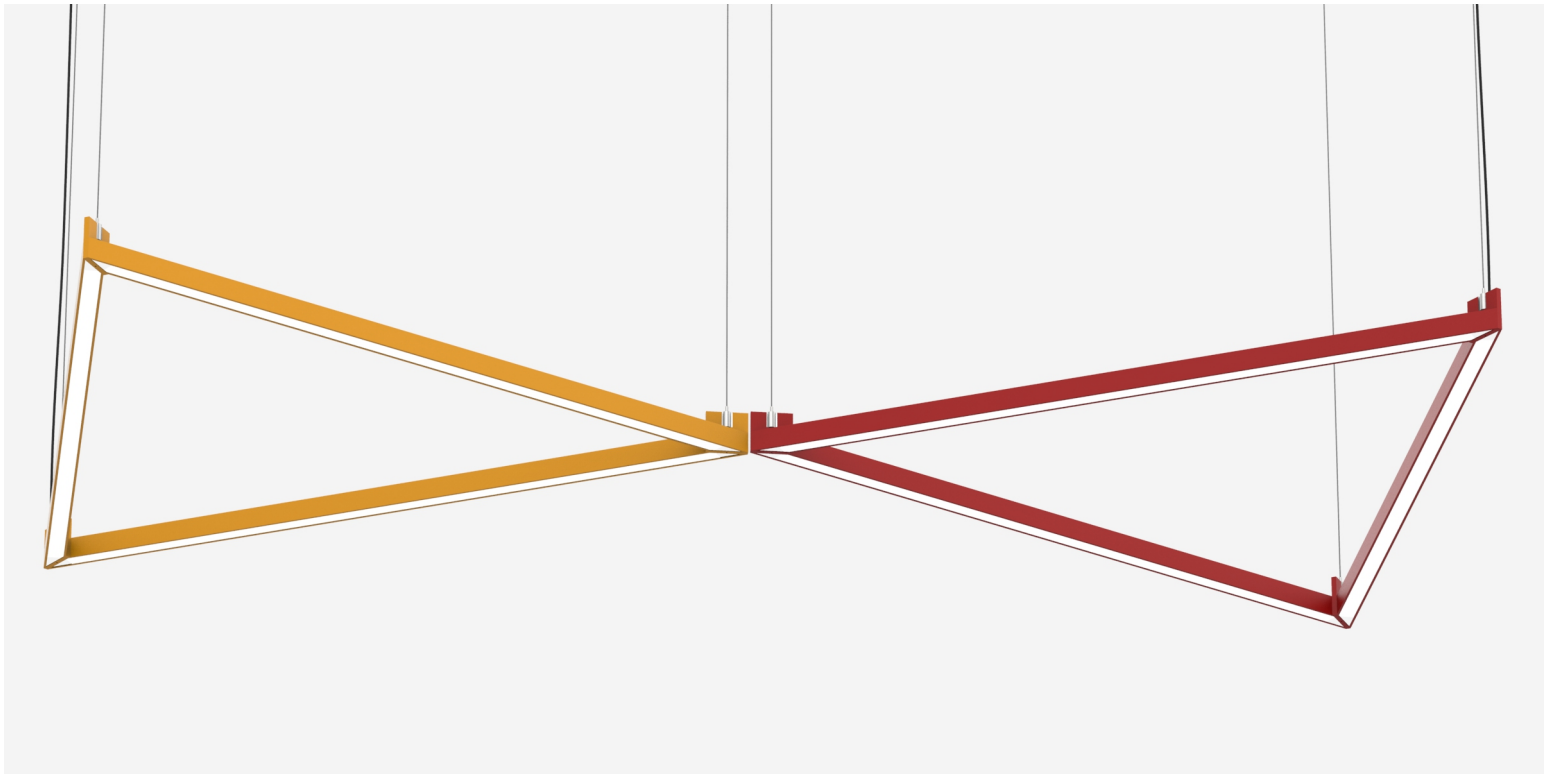
Light Modules Orientation

Downlight **LoDo**

Uplight **LoUp**

(specify qty of up and down
sample (2) down + (1) up)





Driver Boxes

