



archlit reserves the right to make changes without prior notice. (01.24.2023)

LeeSti Pyramid 3D, pendant with adjustable lighting modules on it's axis in extruded aluminum. All sides equal. Output is architectural lighting grade with a max output of 1200 lumen per foot @ 12.5 w/ft. different color temperatures and the use of programmable drivers (at the factory) allows to generate different outputs. Section of 1"x1". Film in lighting modules hide LED dots from boards, giving an even illumination on the lighted surface. Remote drivers at max 80 feet. CRI more than 90. CSA listed. Quantity of drivers depend on output selected, at max output assume 8' max per driver. Grippers at canopies allows to modify the mounting angle at site, a central aircraft cable added at center to add security to the assembly

## LePy3D

### LeeSti Pyramid 3D

#### LePy3D -

#### Lumen Output

3017 - 3000 K 1200 lumens / ft 12 w /ft  
3014 - 3000 K 1000 lumens / ft 10 w /ft  
3011 - 3000 K 780 lumens / ft 7.5 w /ft  
3008 - 3000 K 560 lumens / ft 5.5w /ft  
3005 - 3000 K 350 lumens / ft 3.1 w /ft  
3517 - 3500 K 1200 lumens / ft 12 w /ft  
3514 - 3500 K 1000 lumens / ft 10 w /ft  
3511 - 3500 K 780 lumens / ft 7.5 w /ft  
3508 - 3500 K 560 lumens / ft 5.5w /ft  
3505 - 3500 K 350 lumens / ft 3.1 w /ft

#### Finish

BK - Black  
WH - White  
CU - Custom Color  
Specify RAL color



## Suspension Aircraft Cable

36 - 36" max

100 - 100" max.

Add length if design intention is to have assembly pending with an angle, generated at site

## Dimming

O - Non Dimmable 120v

Max 4' per driver

1 - Non Dimmable 277v

Max 4' per driver

4 - Dimmable 0-10v (4wires, 120/277 v)

Max 4' per driver

## Lighting Modules

B - 2' nominal

C - 3' nominal

D - 4' nominal

E - 5' nominal

F - 6' nominal

Blm - Blind Lighting Module

All lighting modules equal nominal length. Qty of modules (6)

Specify qty of modules blind (no lighting)

## Canopy

SQ - Square Plate 4" x 4"

RD - Round 4" x 4" Jbox

archlit will add in submittals the need of blocking (by others) if needed

## Emergency

00 - No Emergency

EM - Emergency module max. 4 feet nominal

Max length for emergency 4'

Specify qty of emergency modules

Adding emergency to modules implies adding feeds

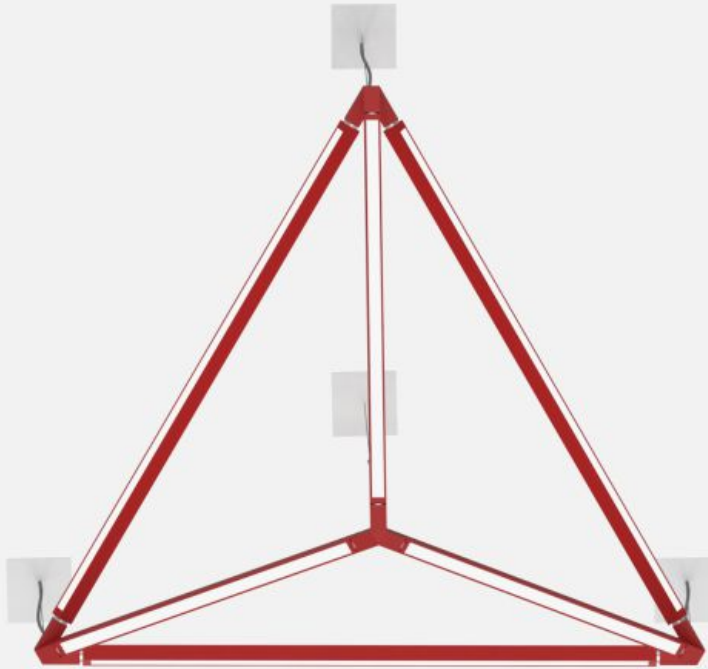
## Notes:

Max distance to remote drivers 80'

MacAm 3

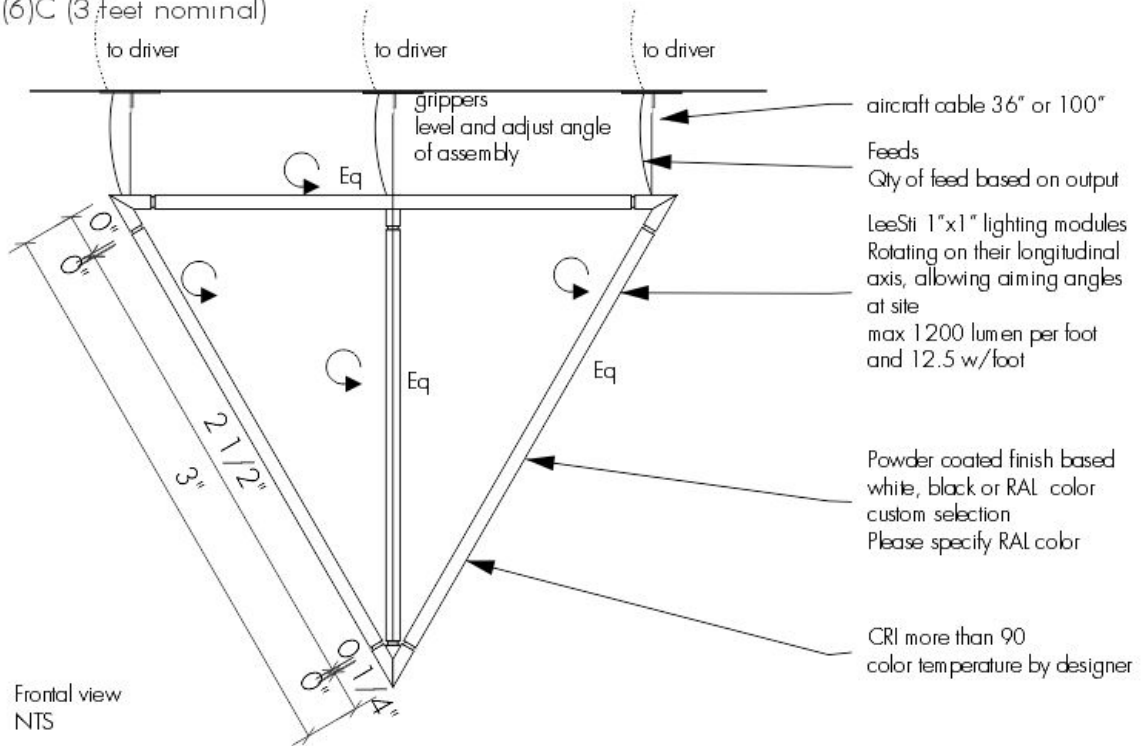
CRI > 90

archlit generates submittals for approval

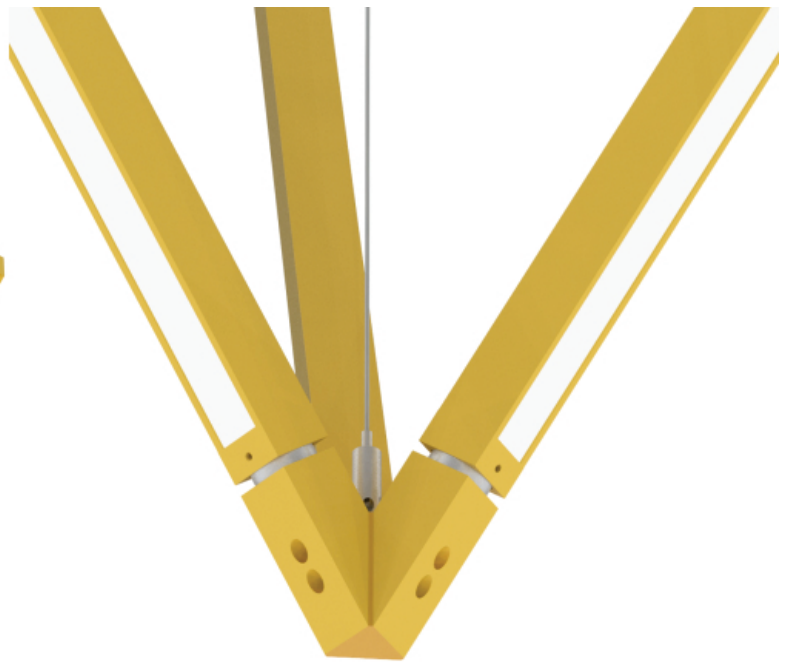
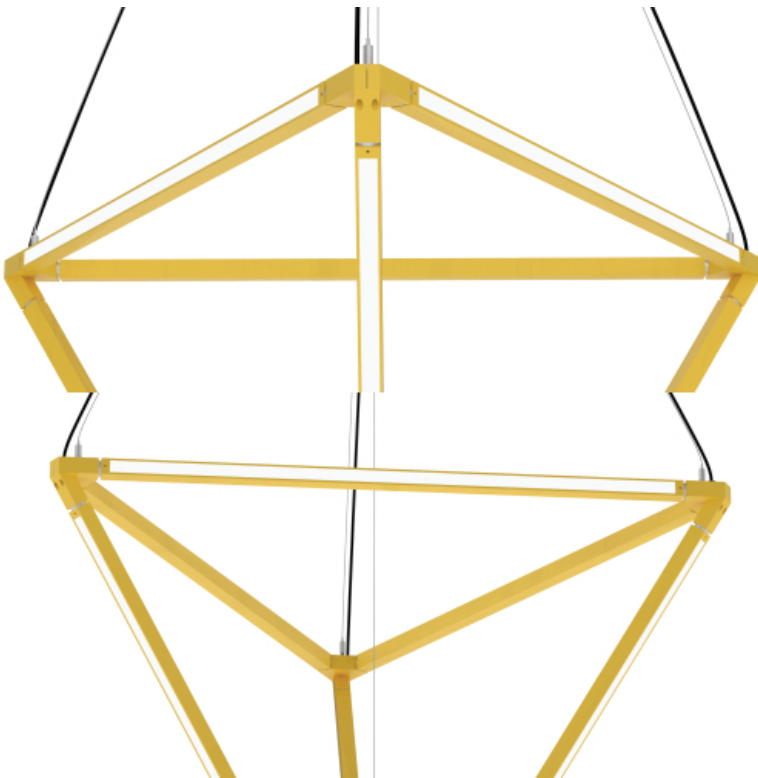
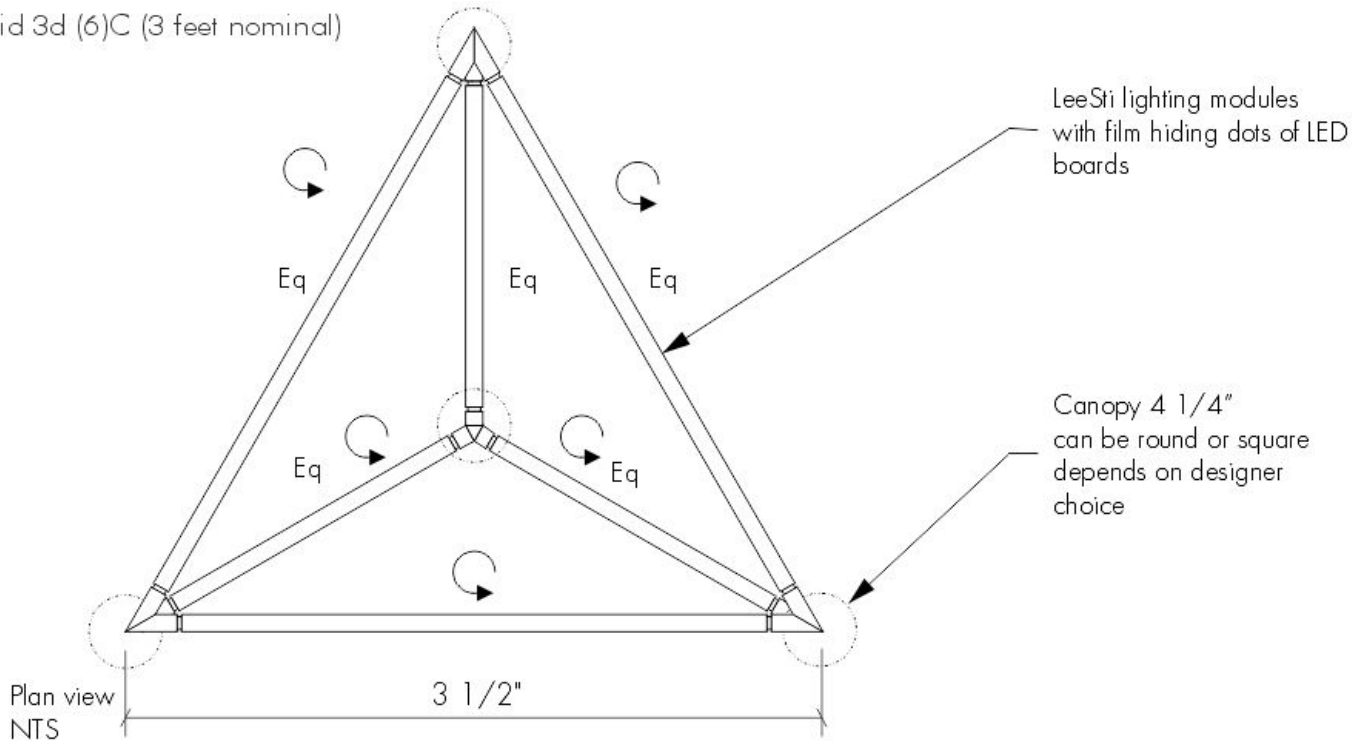


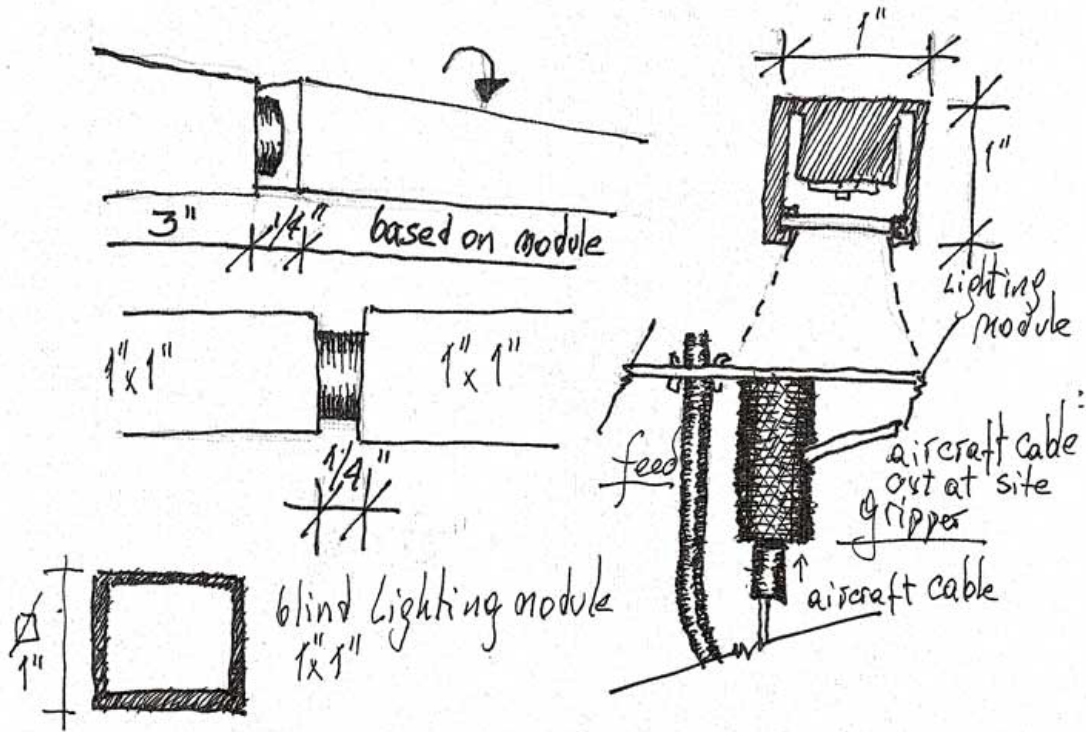


LeeSti Pyramid 3d (6)C (3 feet nominal)



LeeSti Pyramid 3d (6)C (3 feet nominal)





Driver Boxes

