



archlit reserves the right to make changes without prior notice. (12.08.2022)

LeeSti Grid Double is a lighting fixture in aluminum extrusion for grid ceilings and drywall applications with 1" aperture. With film for not seeing LED at each lighting module. The Programmable drivers allow the use of special outputs with the same hardware and kit (programmable at factory). Use in damp location with remote drivers.

Trim and Trimless versions for drywall ceilings. Each lighting module is adjustable by itself. Drivers remote.

Attachment of lighting modules with magnets including security aircraft cable for modules.

Programmable drivers allows to adapt to different output specified by designers @ factory

LeGriDou

LeeSti Grid Double

LeGriDou -

Lumen Output

3017 - 3000 K 1200 lumens / ft 12 w /ft

3014 - 3000 K 1000 lumens / ft 10 w /ft

3011 - 3000 K 780 lumens / ft 7.5 w /ft

3008 - 3000 K 560 lumens / ft 5.5w /ft

3005 - 3000 K 350 lumens / ft 3.1 w /ft

3517 - 3500 K 1200 lumens / ft 12 w /ft

3514 - 3500 K 1000 lumens / ft 10 w /ft

3511 - 3500 K 780 lumens / ft 7.5 w /ft

3508 - 3500 K 560 lumens / ft 5.5w /ft

3505 - 3500 K 350 lumens / ft 3.1 w /ft

WhTu - White tuning 2700K @ 1050 lumens/foot

and 6500k @1200 lumens/foot 12.5 watt/foot

All Uplight versions with light will have a transparent diffuser

Use of programmable drivers allow different outputs (lumen output and load) to fix color temperature versions

Finish

WH - White

BK - Black

CU - Custom Color

Specify RAL color



LeeSti Grid Double

LeeSti / Recessed

Dimming

- 0 - Non dimmable 120v
- 1 - Non dimmable 277v
- 4 - Dimmable 0-10v (4wires, 120 or 277 v)

Length Grid Ceiling

- B - 2' nominal 23"
 - D - 4' nominal 47"
 - F - 6' nominal 71"
 - H - 8' nominal 95"
 - NoG - Drywall Ceiling
- Important to select if not grid ceiling
If Drywall ceiling, please specify it is NoG

Emergency

- 00 - No Emergency
 - EM - Emergency
- Specify qty only if Emergency
max length emergency 4' nominal per battery module

Ceiling type

- Grid - Grid Ceiling
- Dry - Drywall Ceiling

Flange

- Grisol - Grid Ceiling Solution
Please specify if grid solution
- Ts - Trimless
- Tm - Trim
If drywall Ceiling

Ceiling Grid

- 916Tbr - 9/16" Grid T-Bar
- 1516Tbr - 5/16" Grid T-Bar
- Dryk - Drywall Ceiling

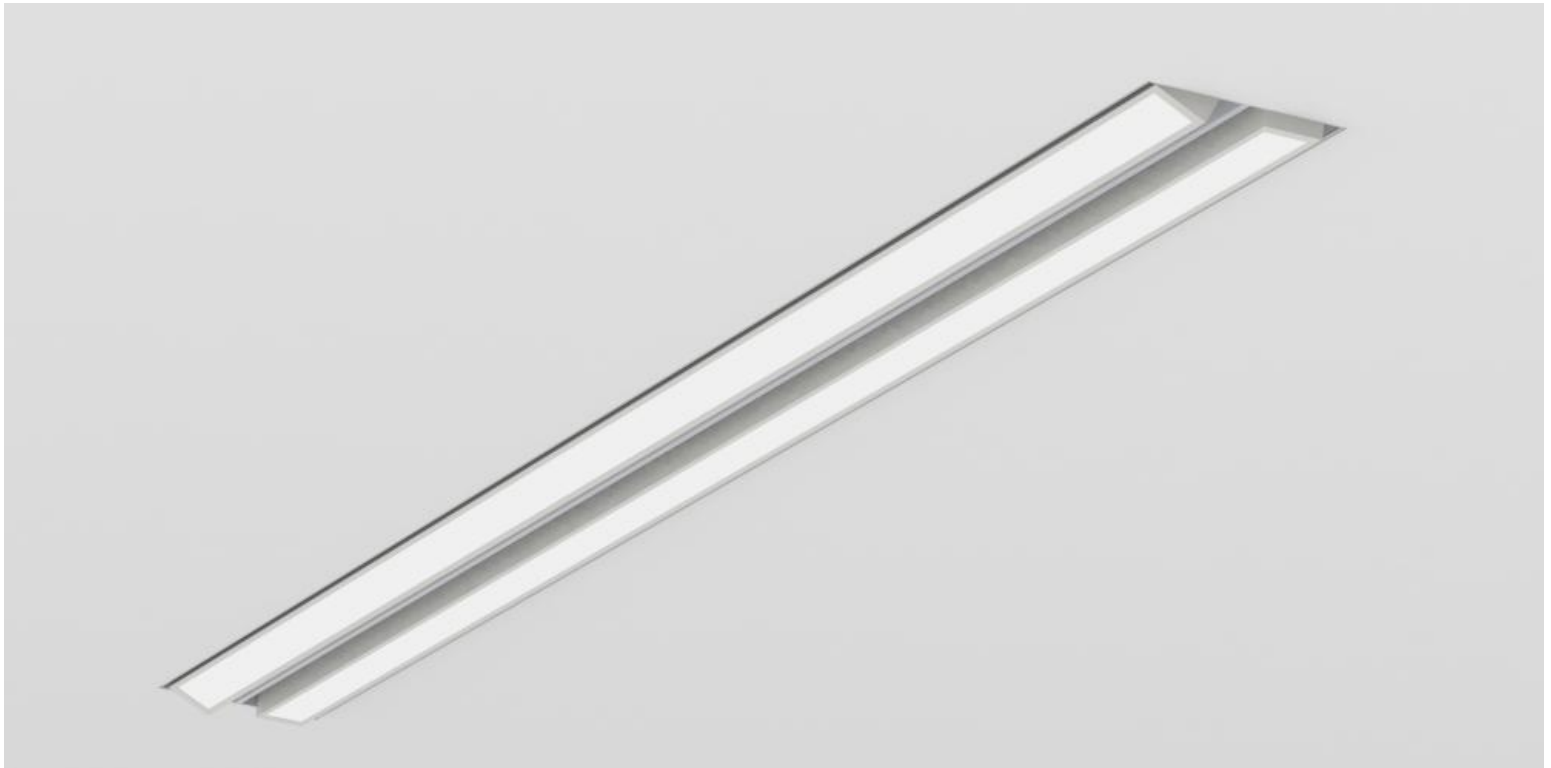
Length Drywall Ceiling

- D - 4' nominal Trimless 48 1/8"
- E - 5' nominal Trimless 58 5/8"
- F - 6' nominal Trimless 70 5/8"
- G - 7' nominal Trimless 81 1/8"
- H - 8' nominal Trimless 93 1/8"
- A - 1' nominal Trimless 13 5/8"
- B - 2' nominal Trimless 25 5/8"
- C - 3' nominal Trimless 36 1/8"
- NoD - Grid Ceiling
If Grid ceiling please specify NoD

Trimless lengths as reference, for reference of Trim see table @ cut sheet images

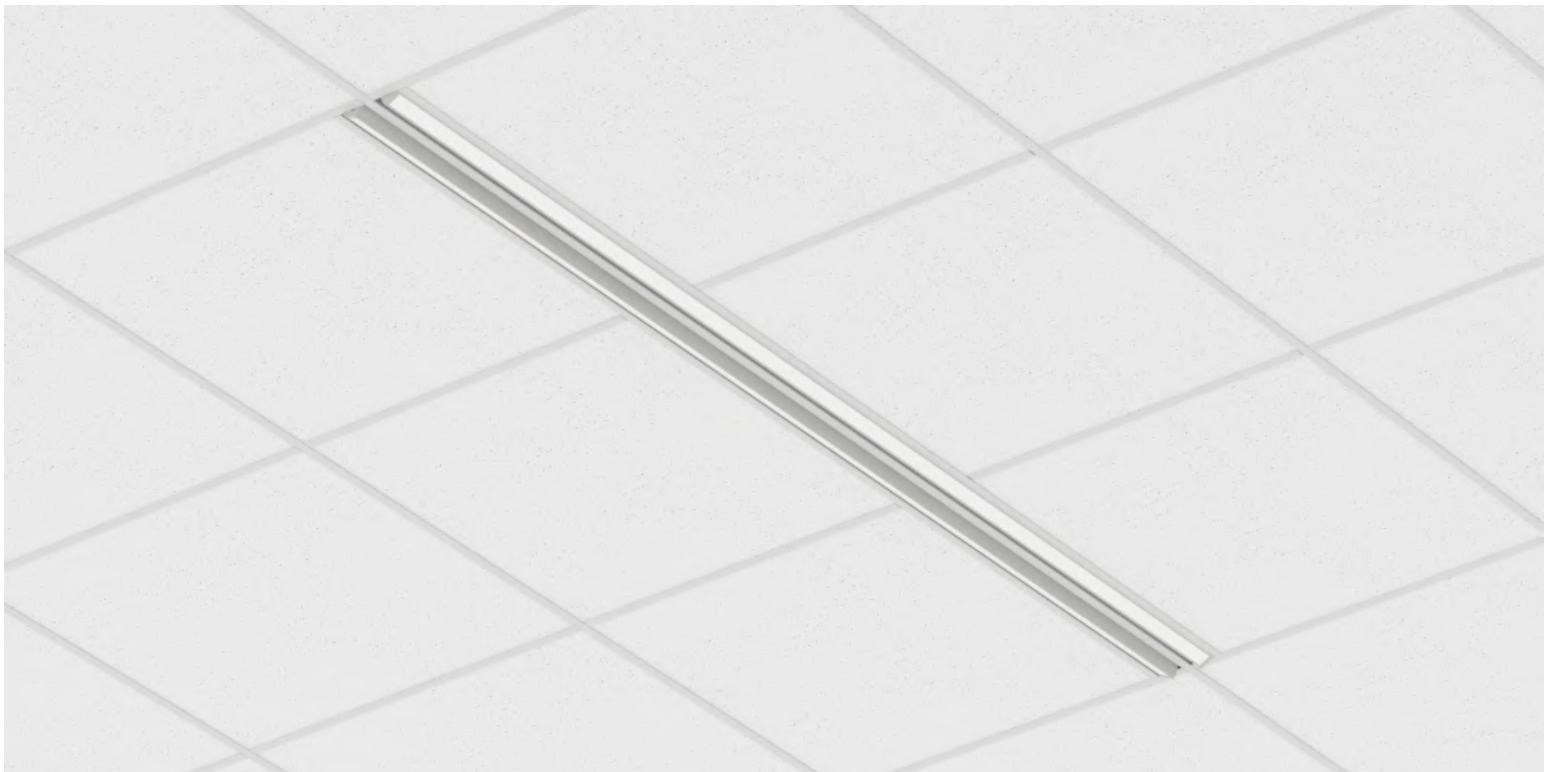
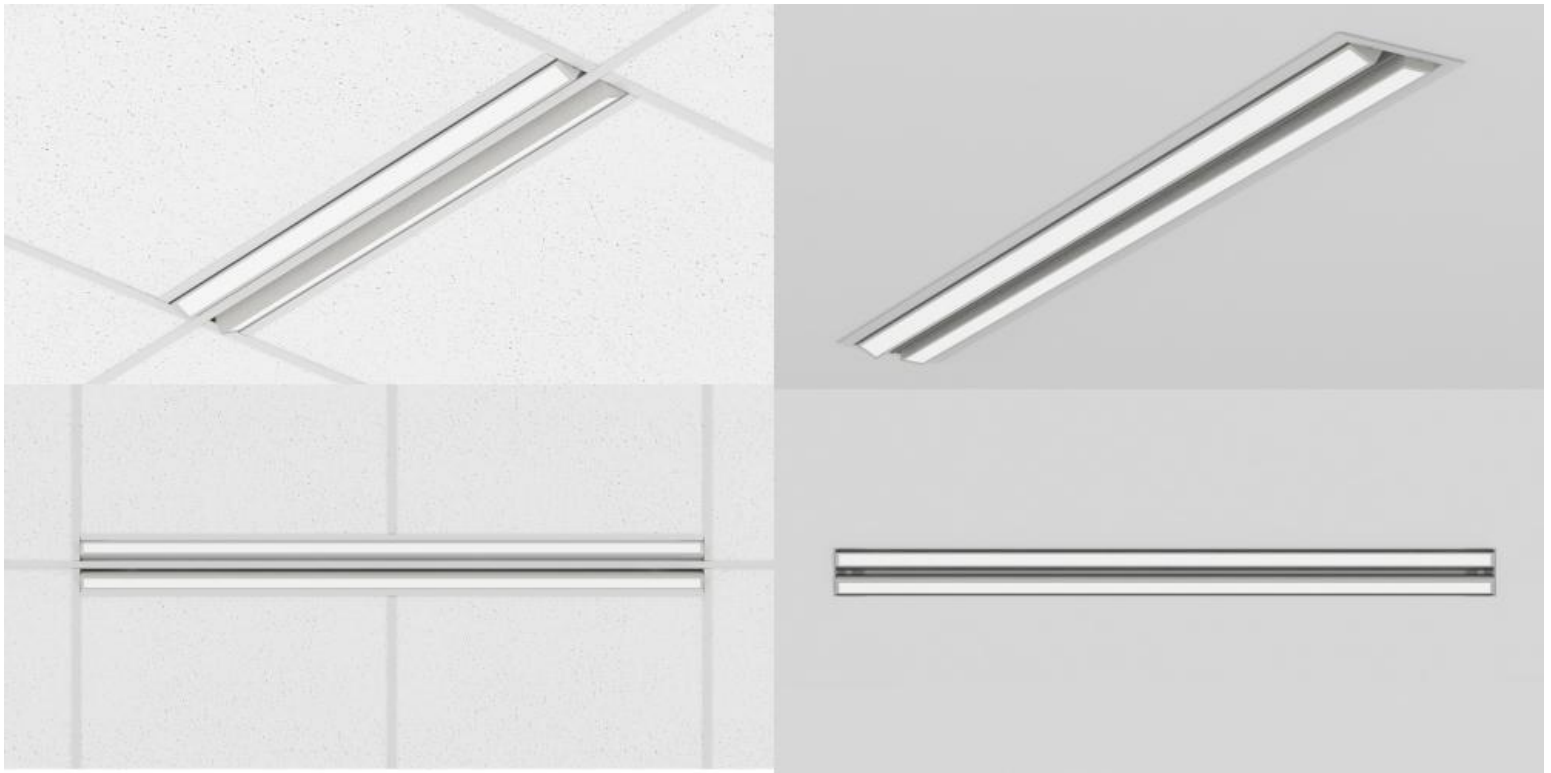
Notes:

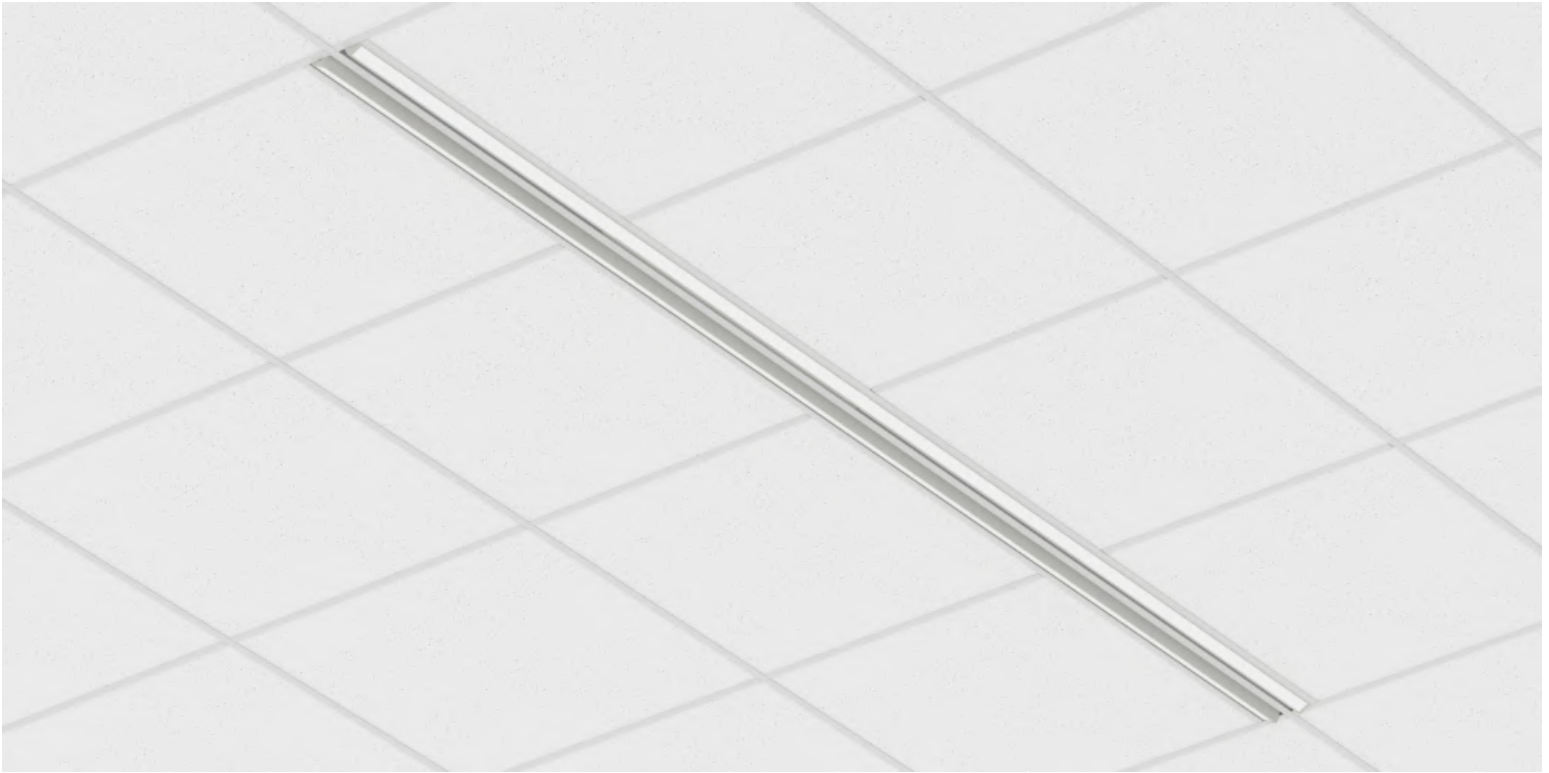
- Drivers remote
- Max distance to drivers 80'
- For calculation use 2 ies files of the LeeSti Lighting module
- MacAdam 3, more than 90 CRI LED, RA 9 more than 50%
- Programmable drivers @ factory



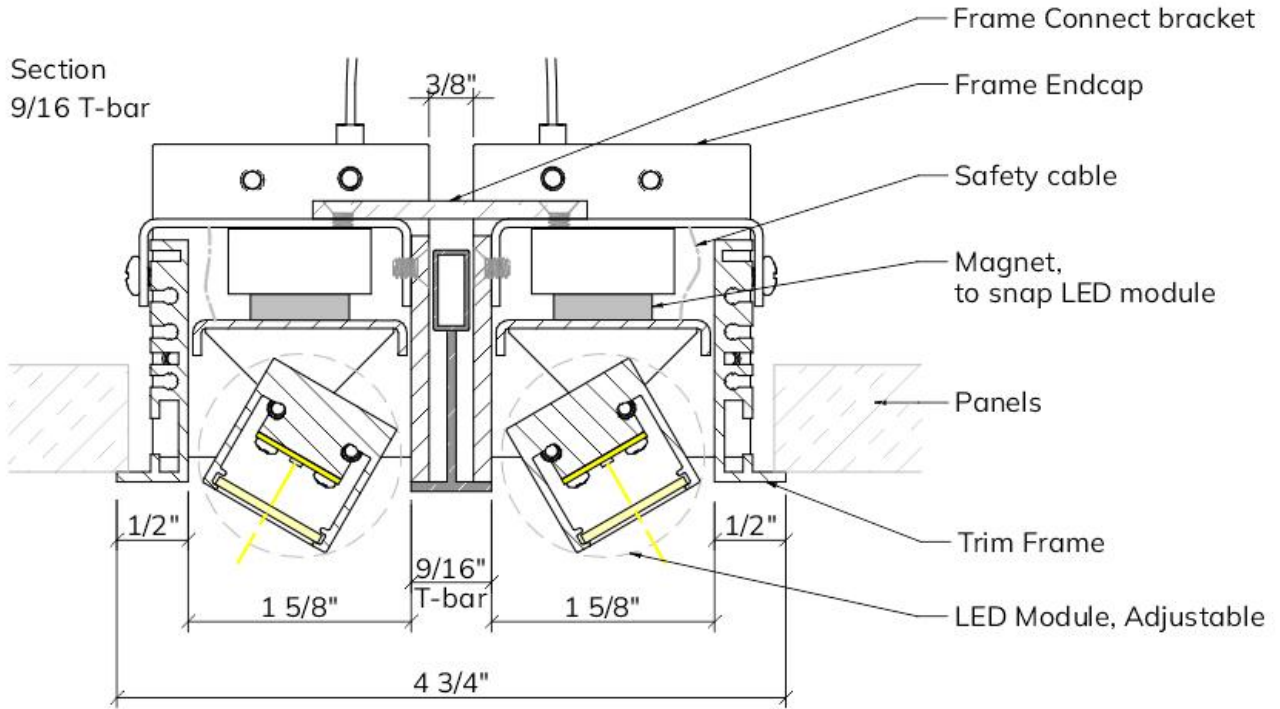
LeeSti Grid Double

LeeSti / Recessed

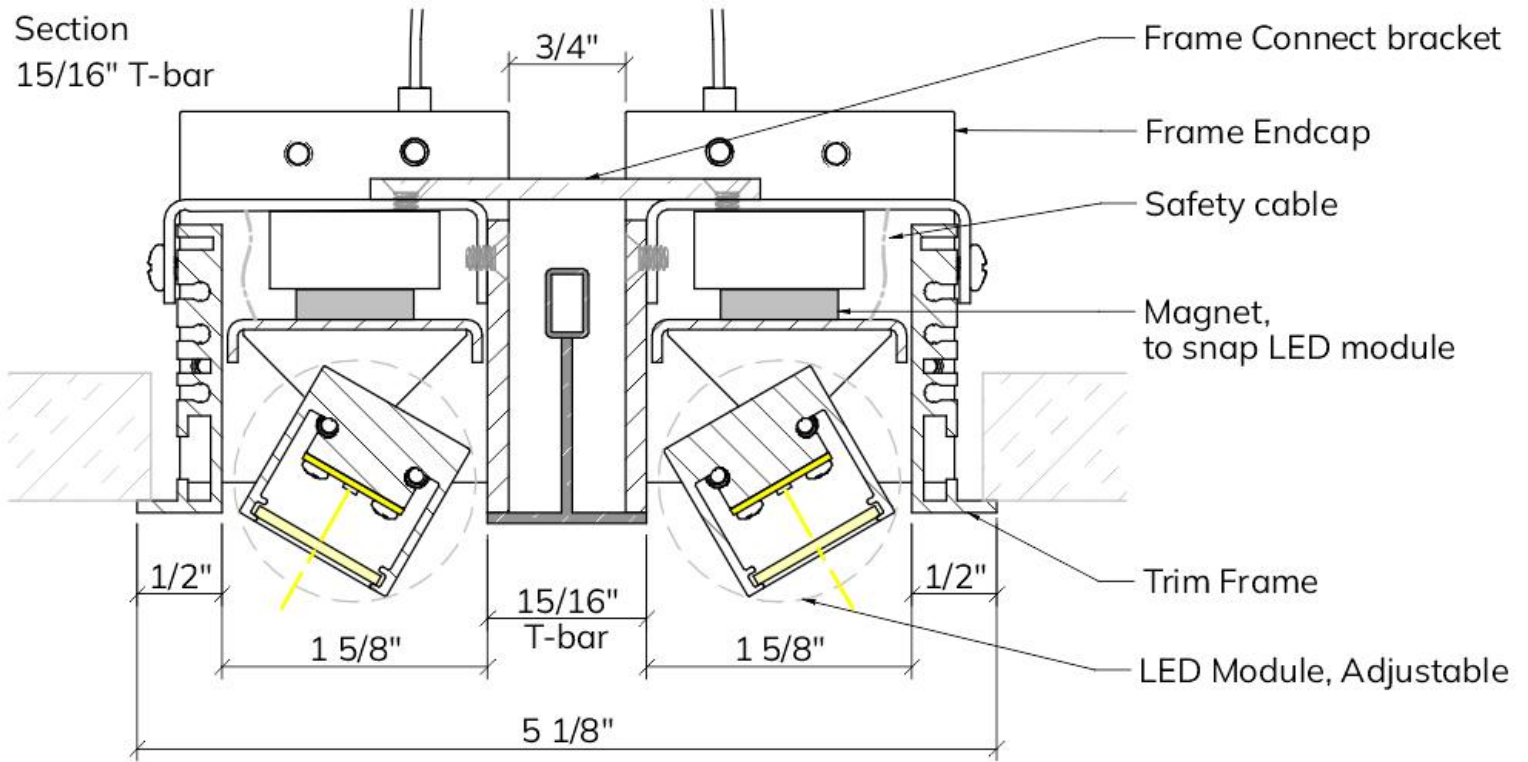




LeeSti Grid Delu

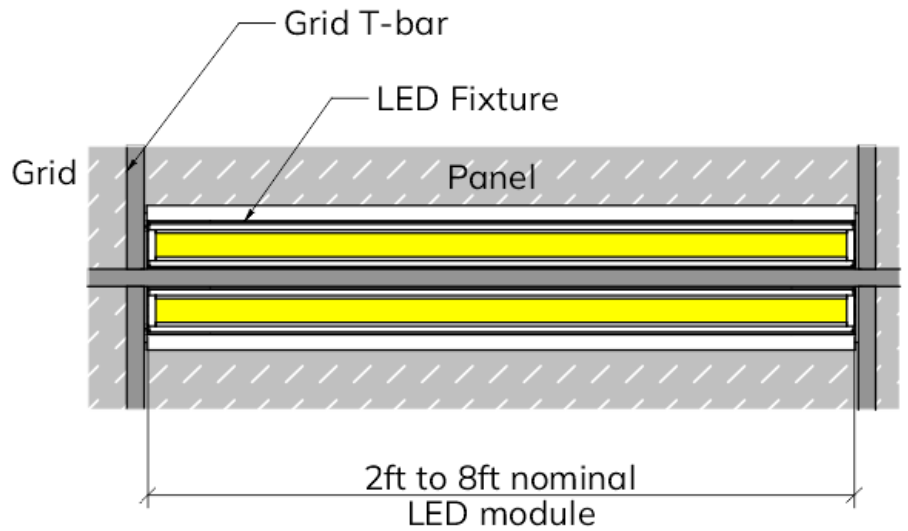


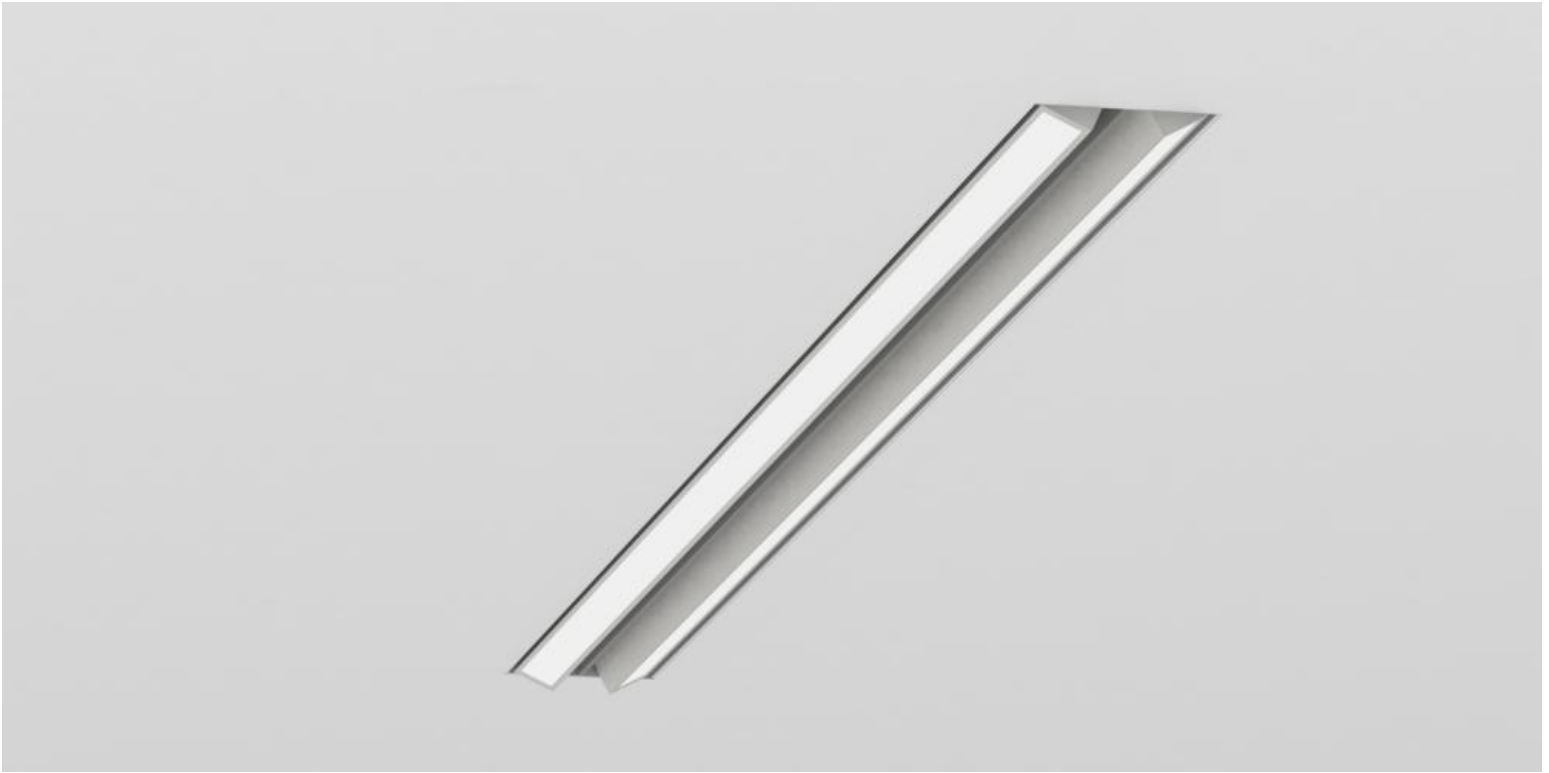
Section
15/16" T-bar



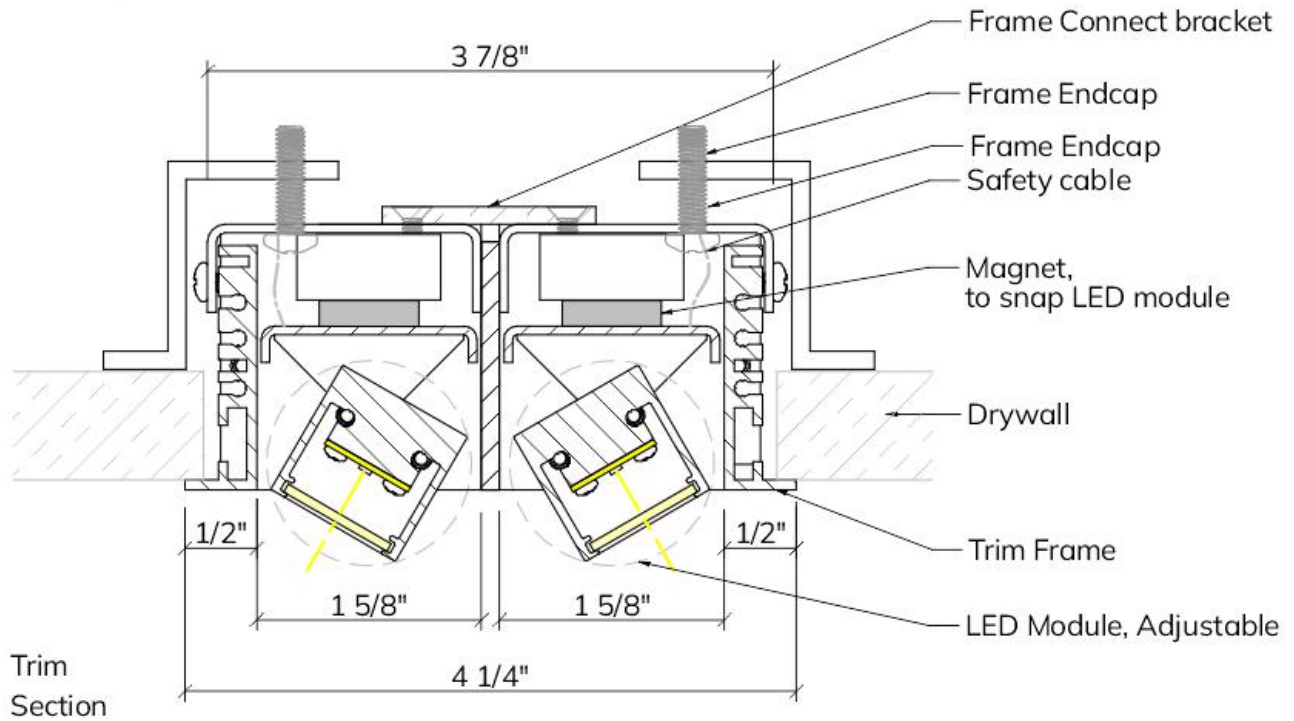
Grid Fixture

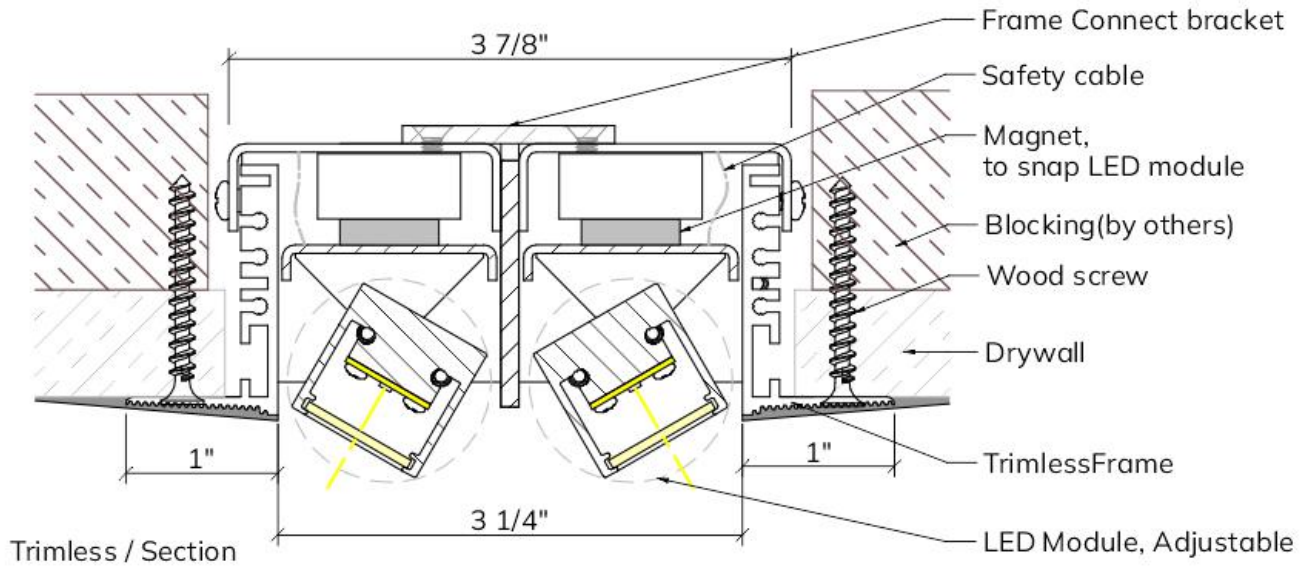
Fixture size	LED module
2' 23"	22-1/2"
4' 47"	46-1/2"
6' 71"	70-1/2"
8' 95"	94-1/2"





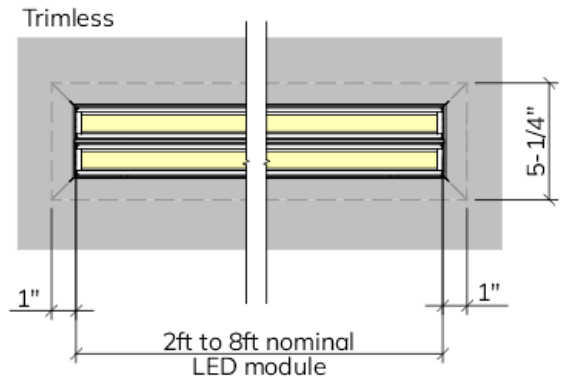
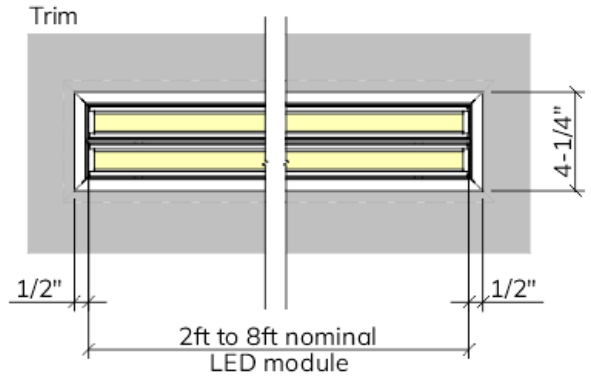
LeeSti Drywall Delu





Drywall Fixture

	Fixture Trim	Fixture Trimless	LED module
1'	12-5/8"	13-5/8"	11-5/8"
2'	24-5/8"	25-5/8"	23-5/8"
3'	35-1/8"	36-1/8"	34-1/8"
4'	47-1/8"	48-1/8"	46-1/8"
5'	57-5/8"	58-5/8"	56-5/8"
6'	69-5/8"	70-5/8"	68-5/8"
7'	80-1/8"	81-1/8"	79-1/8"
8'	92-1/8"	93-1/8"	91-1/8"



Driver Boxes

