

archlit reserves the right to make changes without prior notice. (08.12.2022)

LeeSti Forms Open Pendant, extruded aluminum minimal design lighting fixture with remote drivers (max 70' from fixture). Powder-coated finish and diffuser protected with film for even illumination at highest lumen output. 1,200 lumens delivered per foot, 12.5w/foot. Dimmable and non dimmable configurations. Lighting modules are adjustable on longitudinal axis. Programmable drivers allow different output with same configuration. Programmable at factory. Max length per driver 8'. Lighting module 1"x1"

LeFoOpPen

LeeSti Forms Open Pendant

LeFoOpPen -

Lumen Output

3017 - 3000 K 1200 lumens / ft 12 w /ft
 3014 - 3000 K 1000 lumens / ft 10 w /ft
 3011 - 3000 K 780 lumens / ft 7.5 w /ft
 3008 - 3000 K 560 lumens / ft 5.5w /ft
 3005 - 3000 K 350 lumens / ft 3.1 w /ft
 3517 - 3500 K 1200 lumens / ft 12 w /ft
 3514 - 3500 K 1000 lumens / ft 10 w /ft
 3511 - 3500 K 780 lumens / ft 7.5 w /ft
 3508 - 3500 K 560 lumens / ft 5.5w /ft
 3505 - 3500 K 350 lumens / ft 3.1 w /ft
 WhTu - White tuning 2700K @ 1050 lumens/foot
 and 6500k @1200 lumens/foot 12.5 watt/foot

Finish

WH - White
 BK - Black
 CU - Custom Specify RAL color



Dimming

- - Non Dimmable 120v
- 1 - Non Dimmable 277v
- 4 - Dimmable 0-10v (4wires, 120 or 277 v)

Fix Lighting Module

- Dir - Direct
- InDi - Indirect

Emergency

- 00 - No Emergency
- EM - Emergency module max. 4'
- Max emergency with 1 pack is 4' nominal

Triangle

- NTri - No Triangle
- 37T - 37"
- 49T - 49"
- 69T - 69"
- Specify larger side

Canopy

- Sq - Square Plate 4"x 4"
- Rd - Round 4" x 4" Jbox

Rectangle

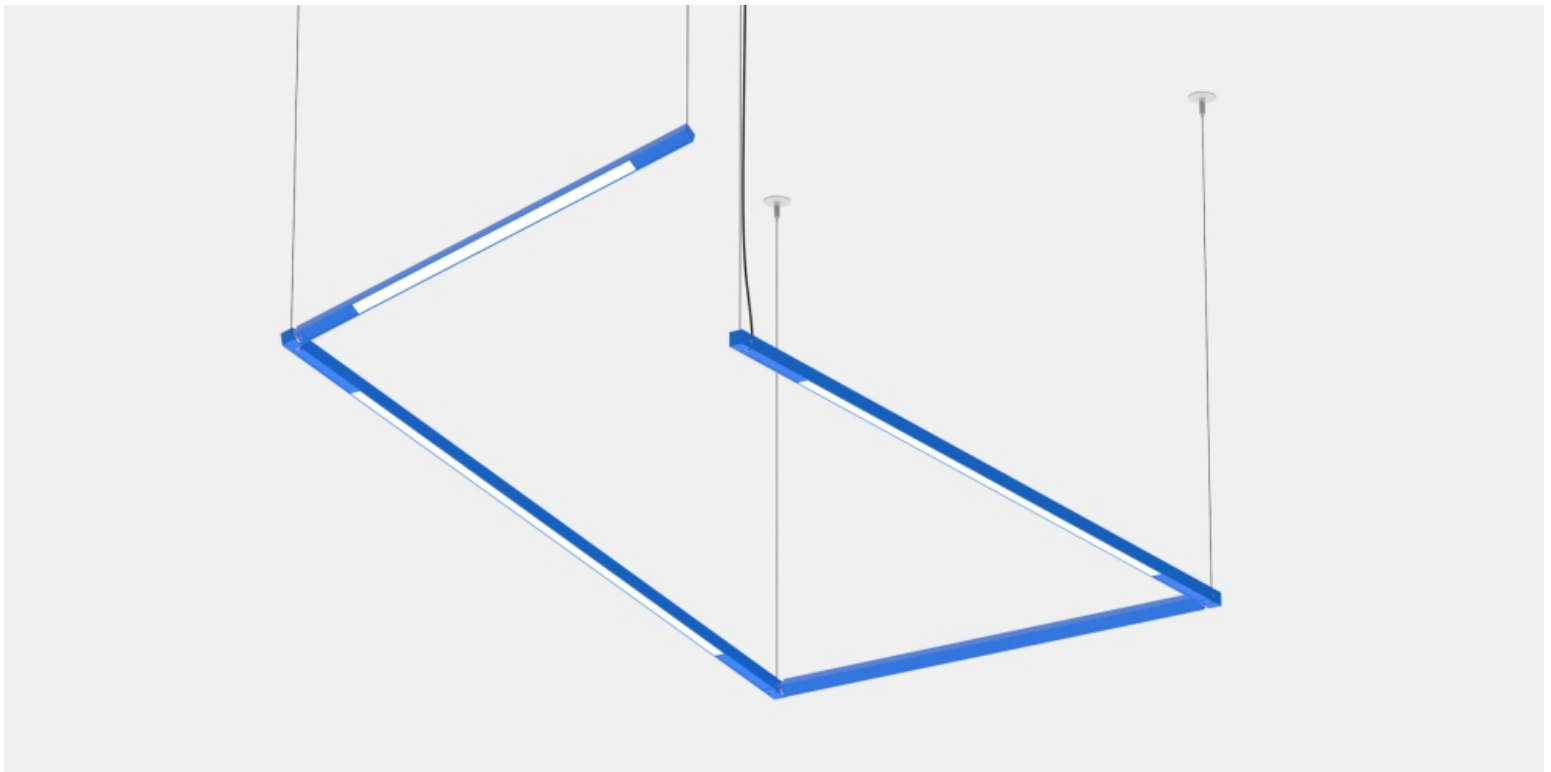
- NRect - No Rectangle
- 3845R - 38"x45"
- 5074R - 50"x74"
- 3838R - 38"x38"
- 5050R - 50"x50"
- 6262R - 62"x62"

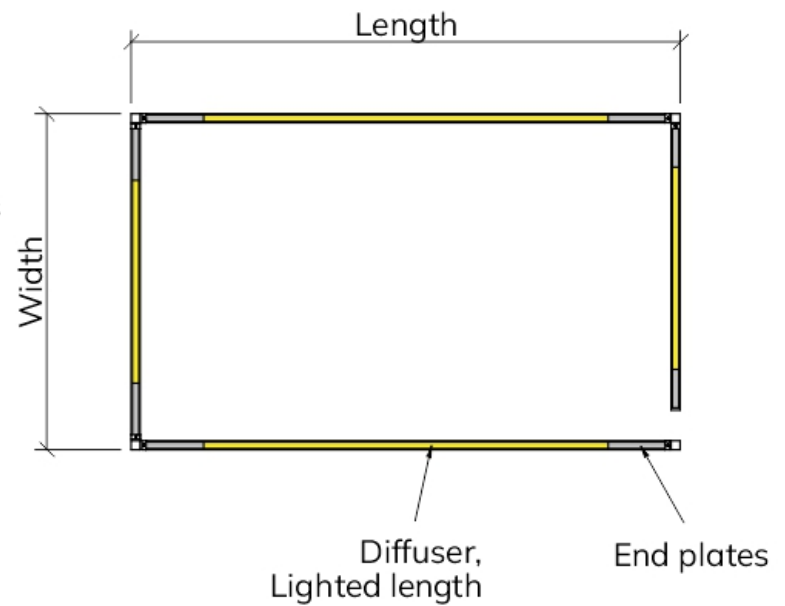
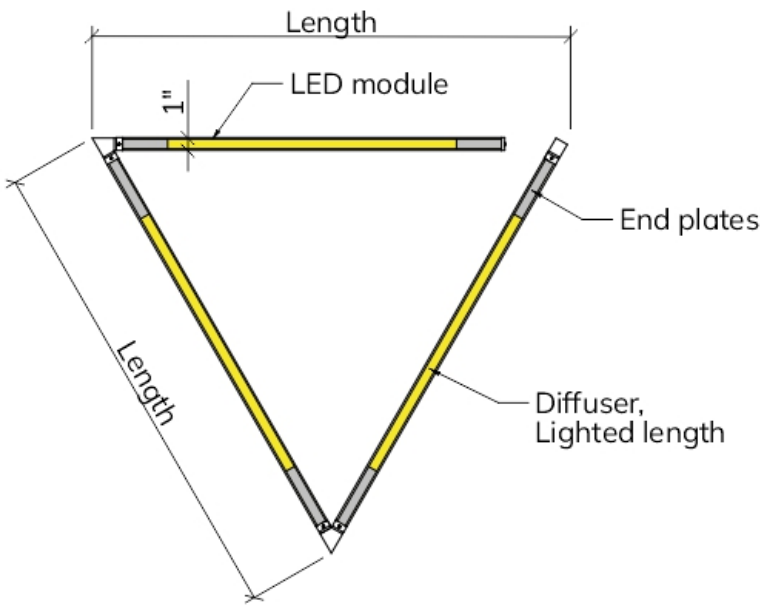
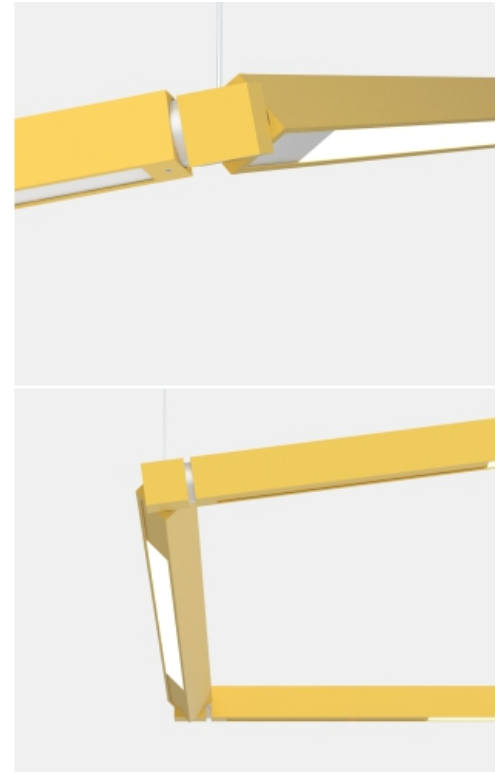
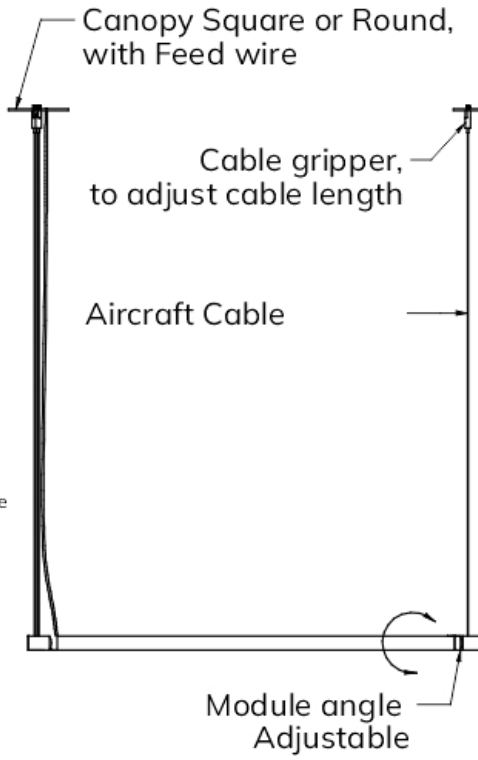
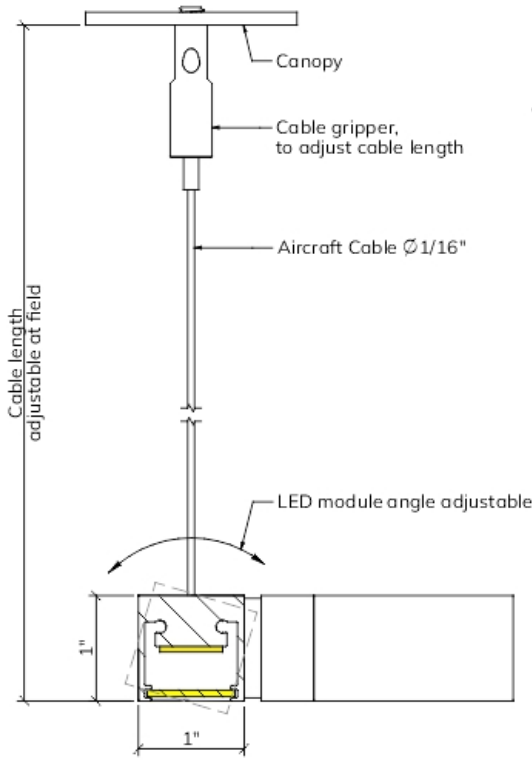
Suspension Aircraft Cable

- 36 - 36" max
- 100 - 100" max

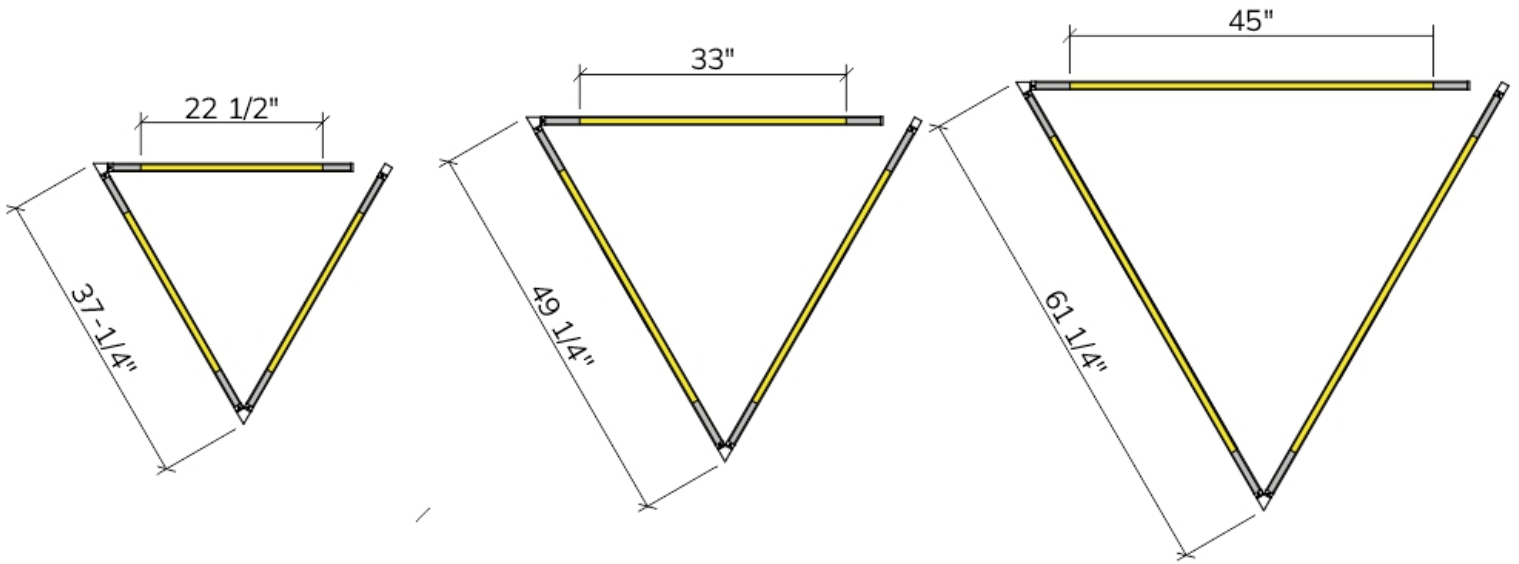
Notes:

- Drivers are Remote.
- Max distance to drivers 70'
- CRI more than 90
- McAdam 3 bin
- Possible change of leveling by adjusting lighting modules on their longitudinal axis
- One lighting module is fixed (no adjustment)

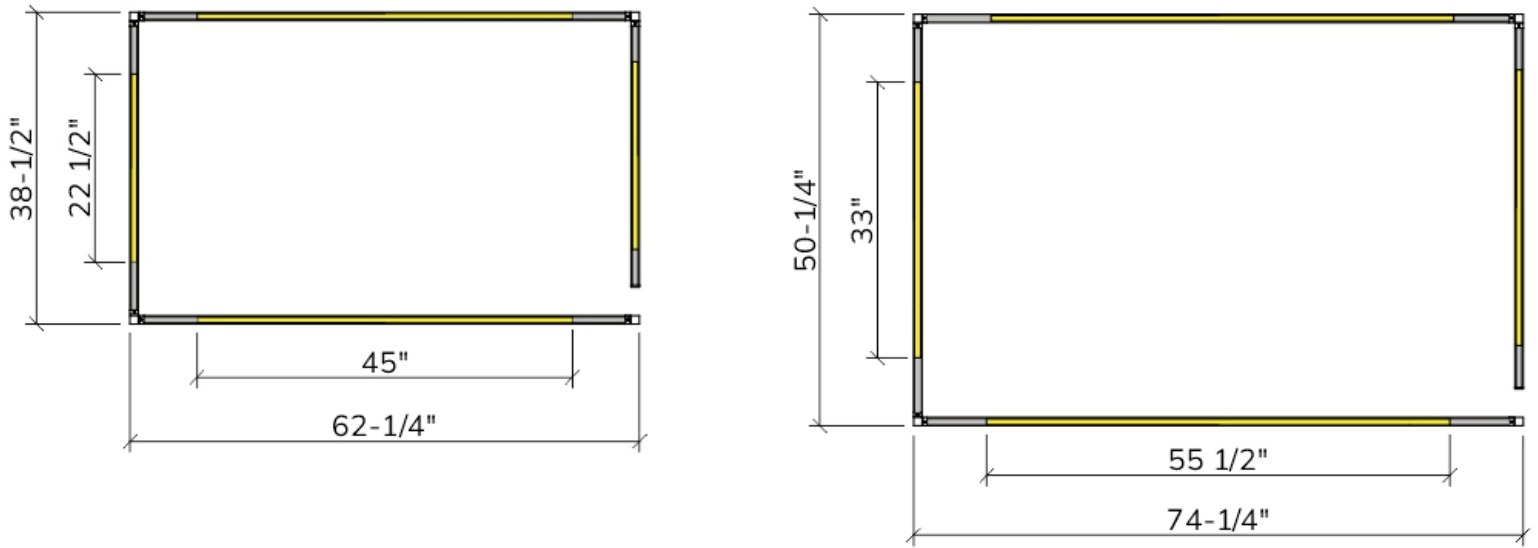




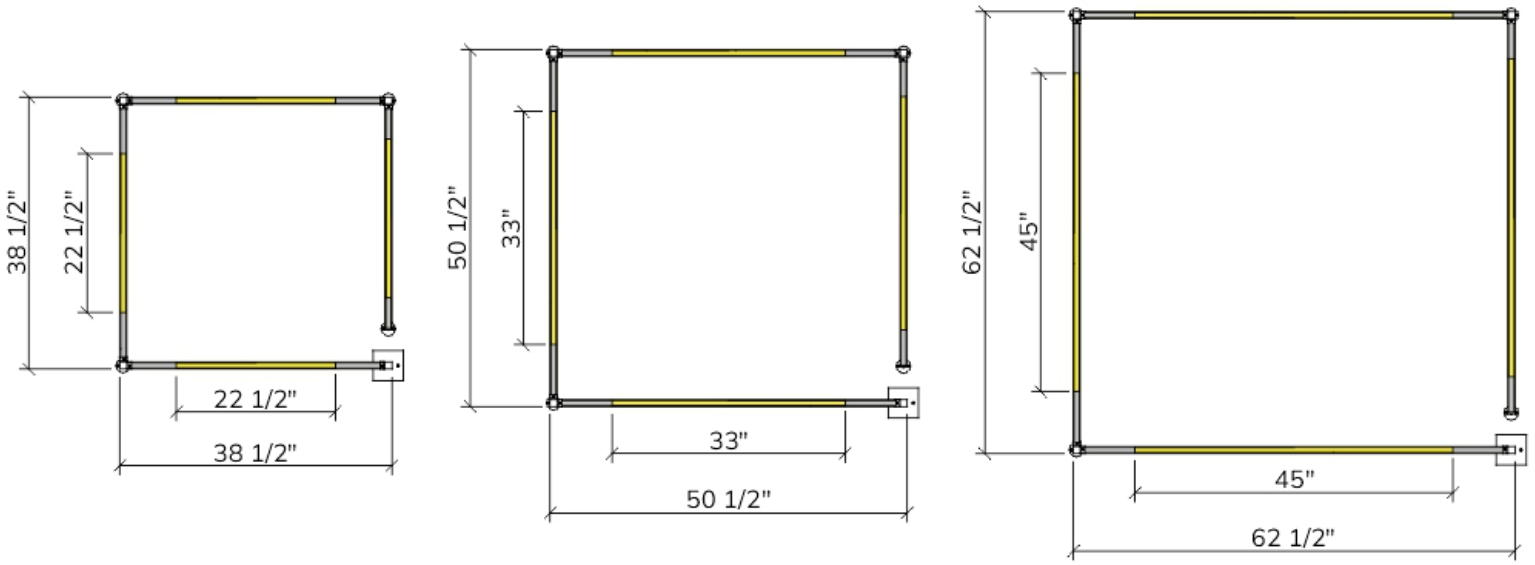
Triangle



Rectangle



Rectangle Square



Driver Boxes

