

archlit reserves the right to make changes without prior notice. (08.17.2021)

LeeSti Click Duet is a lighting system in aluminum extrusion with proprietary LED boards. With diffuser including special film that hides the dots of the LED boards. Programmable drivers allow the use of special output. Levels are suggested ones for covering a huge spectrum.

The use of magnets and special attachments for grid ceiling structures allows design freedom allowing the designer for non standard compositions and later flexible locations of lighting sources.

The lighting module rotates in it's axis. Working as picture light, wall washer, and other applications. The use of reflection on walls allows the wall surface to work as a reflector, decreasing or eliminating other lighting fixtures close to walls |

A special kit for drywall ceilings will allow to use the system in this kind of ceilings

LeCIDue

LeeSti Click Duet

Lumen Output

3017 - 3000 K 1200 lumens / ft 12 w /ft

3014 - 3000 K 1000 lumens / ft 10 w /ft

3011 - 3000 K 780 lumens / ft 7.5 w /ft

3008 - 3000 K 560 lumens / ft 5.5w /ft

3005 - 3000 K 350 lumens / ft 3.1 w /ft

3517 - 3500 K 1200 lumens / ft 12 w /ft

3514 - 3500 K 1000 lumens / ft 10 w /ft

3511 - 3500 K 780 lumens / ft 7.5 w /ft

3508 - 3500 K 560 lumens / ft 5.5w /ft

3505 - 3500 K 350 lumens / ft 3.1 w /ft

WhTu - White tuning 835 lumen/foot 2700 to 6500

k 22 watt/foot

All Uplight versions with light will have a transparent diffuser

Use of programmable drivers allow different outputs (lumen output and load) to fix color temperature versions

Finish

WH - White

BK - Black

CU - Custom Color

Specify RAL color

Dimming

0 - Non dimmable 120v

1 - Non dimmable 277v

4 - Dimmable 0-10v (4wires, 120 or 277 v)

Runs

- A - 1' nominal 13"
- B - 2' nominal 25"
- C - 3' nominal 37"
- D - 4' nominal 49"
- E - 5' nominal 61"
- F - 6' nominal 73"
- G - 7' nominal 85"
- H - 8' nominal 97"

Total Run: (0 ft 0 in)

Extrusions max length is 8' nominal

Product can be adjust from nominal sizes in multiples of 1.5".

Factory will produce submittals

archlit recommends 4' max for transport

In large runs we suggest 1/8" between modules

Runs are segments

Arms Length

- A3 - Arm 3"
 - A12 - Arm 12"
 - A18 - Arm 18"
 - ACu - Arm Custom length
- Specify Length from Ceiling Consult factory for lengths more than 24"
Only Vertical installation

Ceiling Attachment

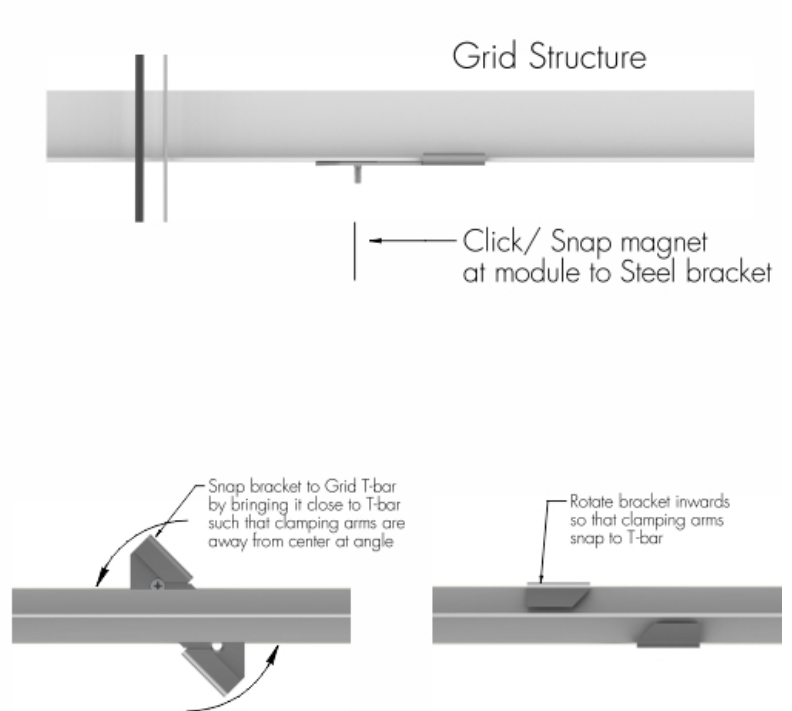
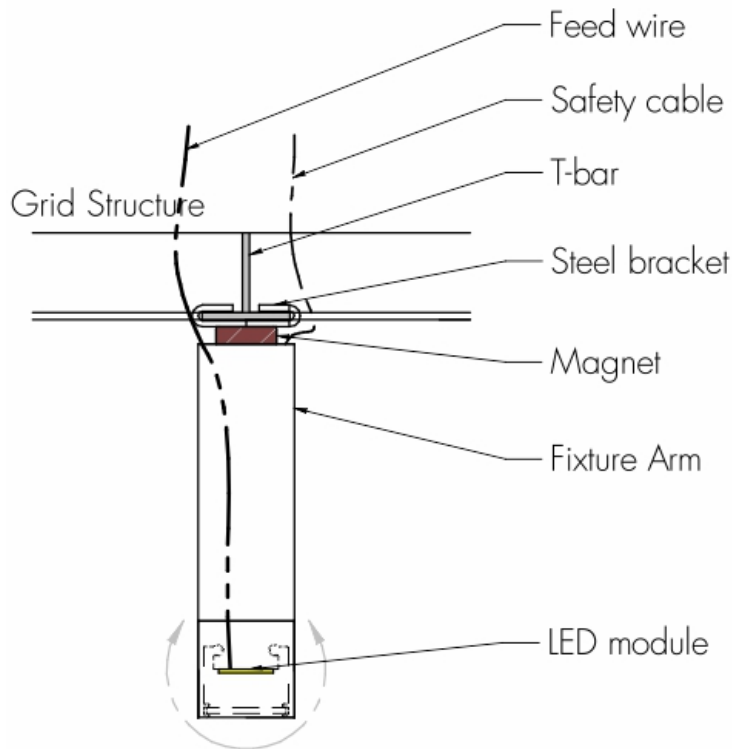
- 916Tbr - 9/16" Grid T-Bar
 - 1516Tbr - 15/16" Grid T-Bar
 - Dryk - Drywall Kit
- Drywall kit needs a whip at the lighting module, specify length of 3', 4' or 9' or Custom length to get to driver remote Sample Dryk (9')
Up to 4' nominal (2) magnets
5' to 8' nominal (3) magnets

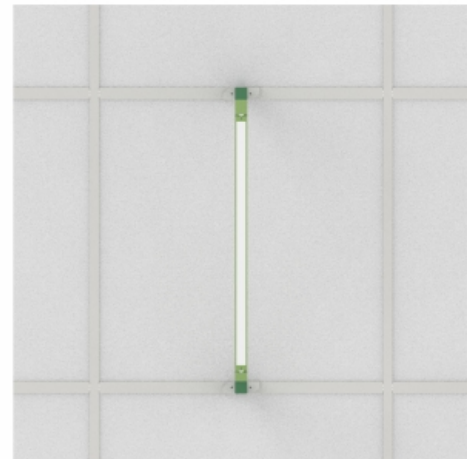
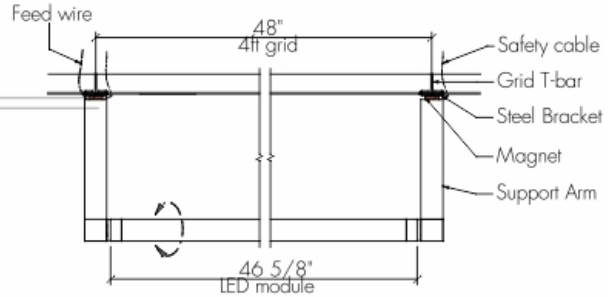
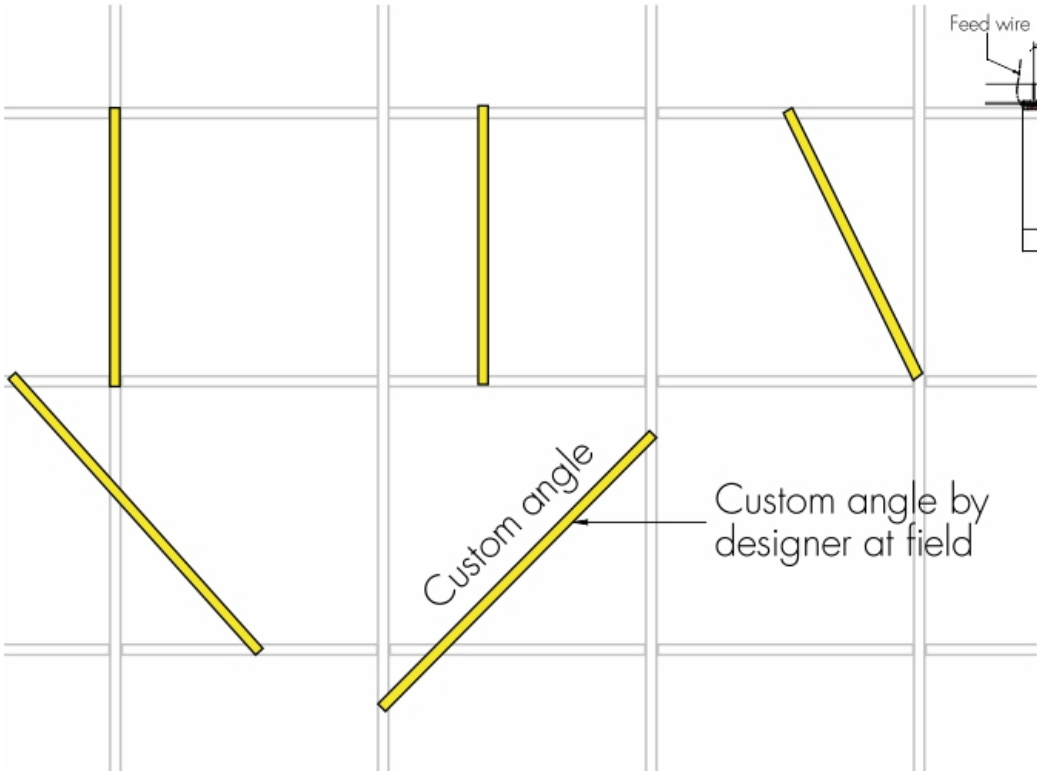
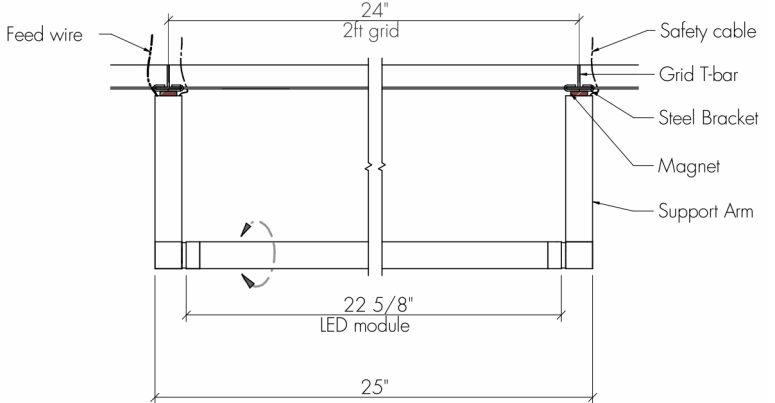
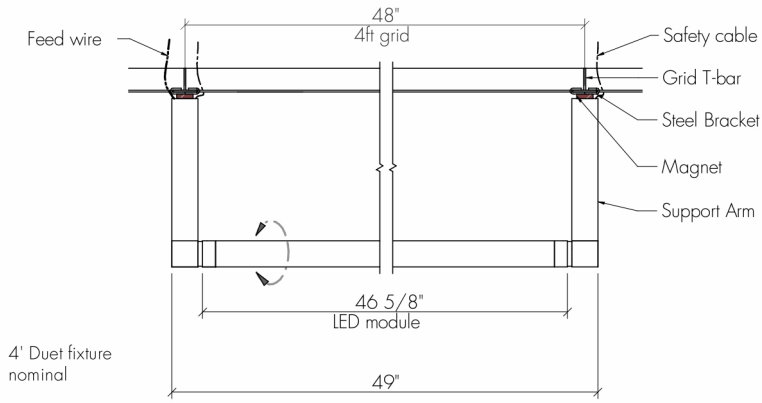
Emergency

- 00 - No Emergency
 - EM - Emergency
- Specify qty only if Emergency
Specify quantity of 4' nominal runs in runs

Notes:

- Drivers remote
- Max distance to drivers 80'
- McAdam 3
- CRI >90





archlit generates submittals for runs. size of boxes
TBD in documentation

