

archlit reserves the right to make changes without prior notice. (05.25.2023)

LeeSti Angle is a lighting system in aluminum extrusion with proprietary LED boards. Diffuser with film for not seeing LED. Programmable drivers allow the use of special outputs with the same hardware and kit (programmable at factory). Trim and Trimless versions. Three possible angles (15,30 and 45 degree) specified by designer and fixed so no changes at job site.

LeAn

LeeSti Angle

Lumen Output

3017 - 3000 K 1200 lumens / ft 12 w /ft

3014 - 3000 K 1000 lumens / ft 10 w /ft

3011 - 3000 K 780 lumens / ft 7.5 w /ft

3008 - 3000 K 560 lumens / ft 5.5w /ft

3005 - 3000 K 350 lumens / ft 3.1 w /ft

3517 - 3500 K 1200 lumens / ft 12 w /ft

3514 - 3500 K 1000 lumens / ft 10 w /ft

3511 - 3500 K 780 lumens / ft 7.5 w /ft

3508 - 3500 K 560 lumens / ft 5.5w /ft

3505 - 3500 K 350 lumens / ft 3.1 w /ft

WhTu - White tuning 2700K @ 1050 lumens/foot

and 6500k @1200 lumens/foot 12.5 watt/foot

All Uplight versions with light will have a transparent diffuser. Please advice if not seen from above

Use of programmable drivers allow different outputs (lumen output and load)

Finish

WH - White

BK - Black

CU - Custom Color

Specify RAL color

Dimming

O - Non dimmable 120v

1 - Non dimmable 277v

4 - Dimmable 0-10v (4wires, 120 or 277 v)

Flange

Ts - Trimless

Tm - Trim

Aiming Angle

15d - Angle 15 degree from Vertical

30d - Angle 30 degree from Vertical

45d - Angle 45 degree from Vertical

Specify angle so it can be determined at factory.

Angle can be modified at site, with minimal tools

Runs

A - 1' nominal 11 5/8"

B - 2' nominal 23 5/8"

C - 3' nominal 34 1/8"

D - 4' nominal 46 1/8"

E - 5' nominal 56 5/8"

F - 6' nominal 68 5/8"

G - 7' nominal 79 1/8"

H - 8' nominal 91 1/8"

Total Run: (0 ft 0 in)

Extrusions max length is 8' nominal

Product can be adjust from nominal sizes in multiples of 1.5".

Factory will produce submittals

archlit recommends 4' max length for transport

In runs add 1/8" between modules. archlit generates submittals.

Lengths from spec sheet for design purposes

Light Shielding

Dd - Frosted diffuser

Use if reflected surface is gloss so dots of boards are not seen

Nof - No film

No film to use indirect if surface is not gloss so dots can't be seen as a reflection

Emergency

00 - No Emergency

EM - Emergency

Specify qty only if Emergency

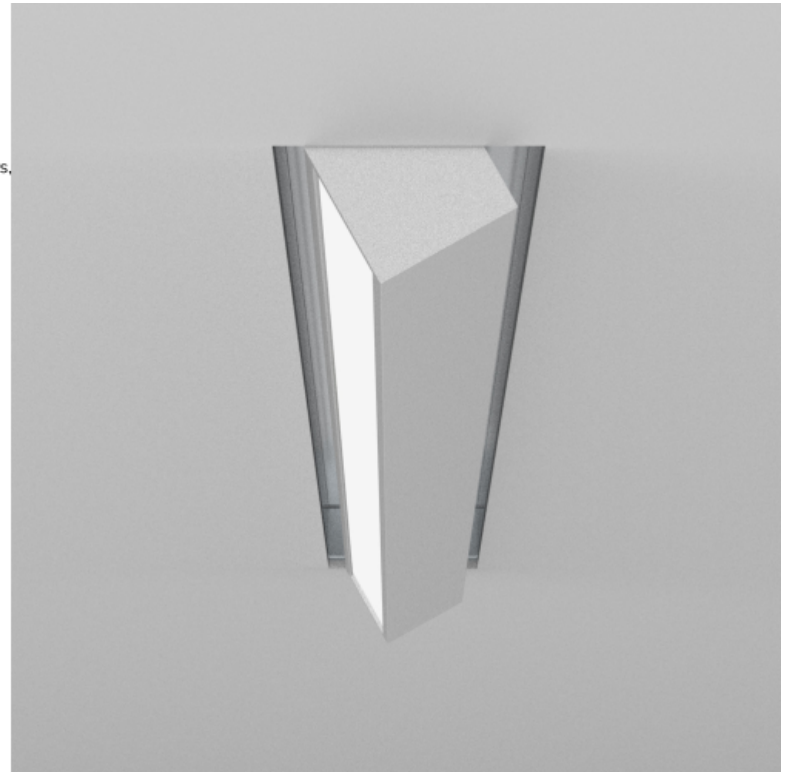
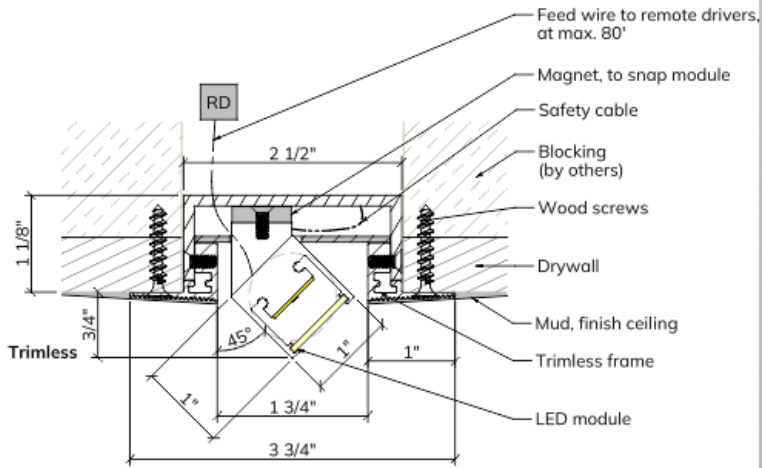
Specify quantity of 4' nominal runs in runs

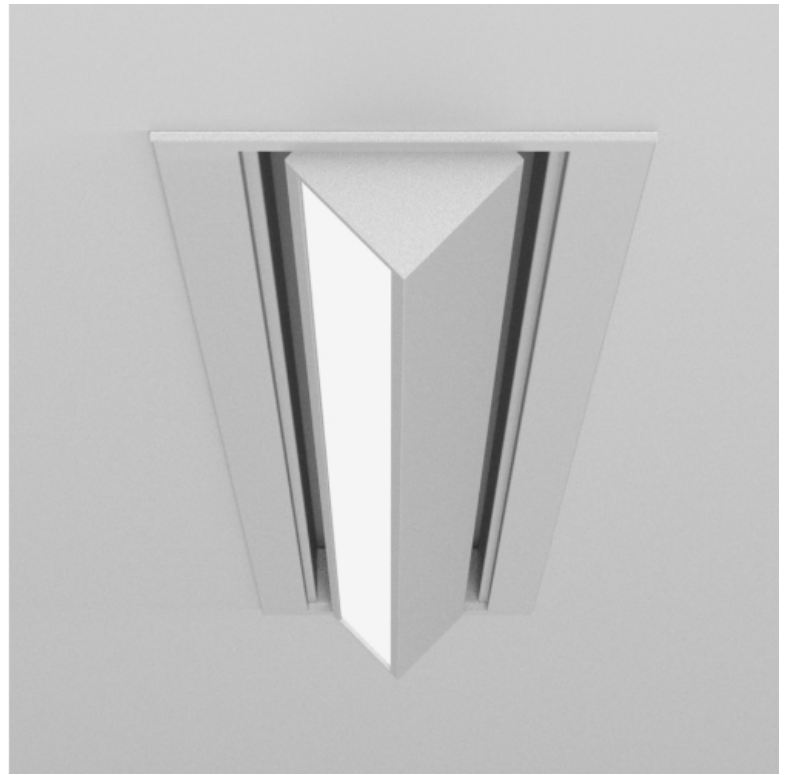
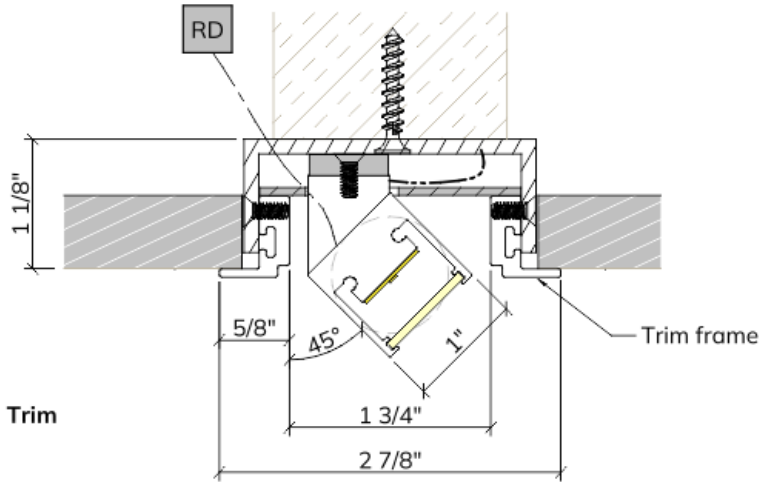
Notes:

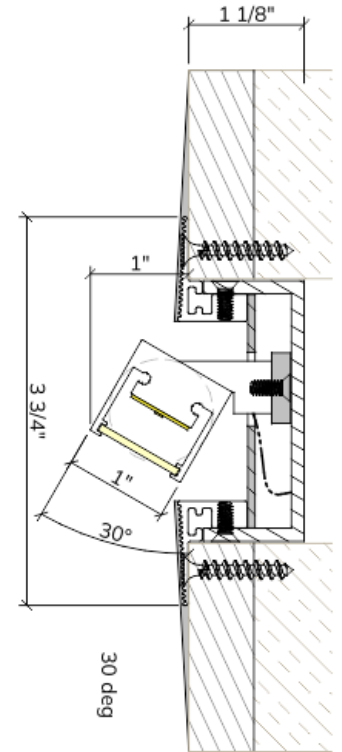
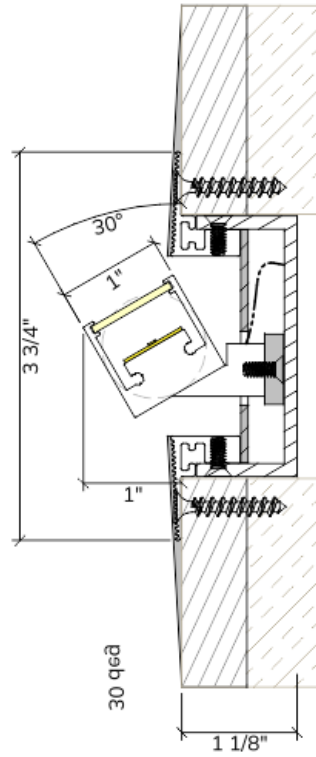
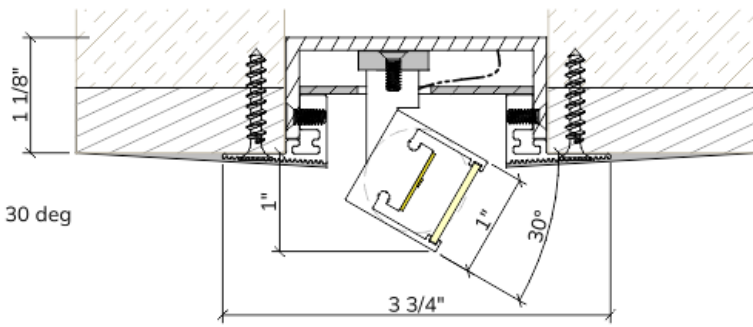
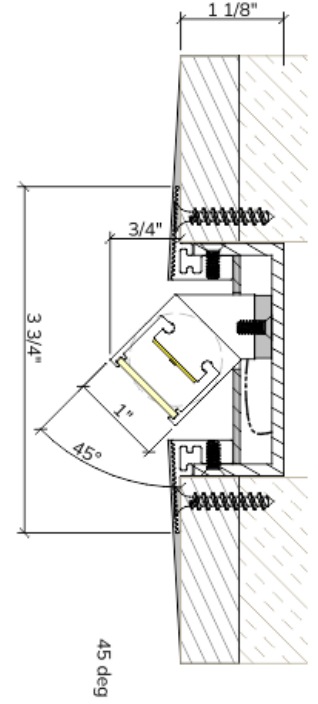
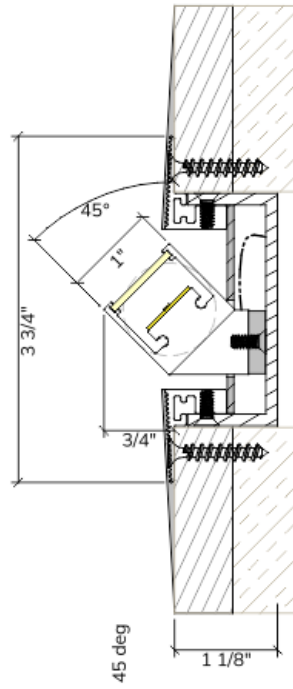
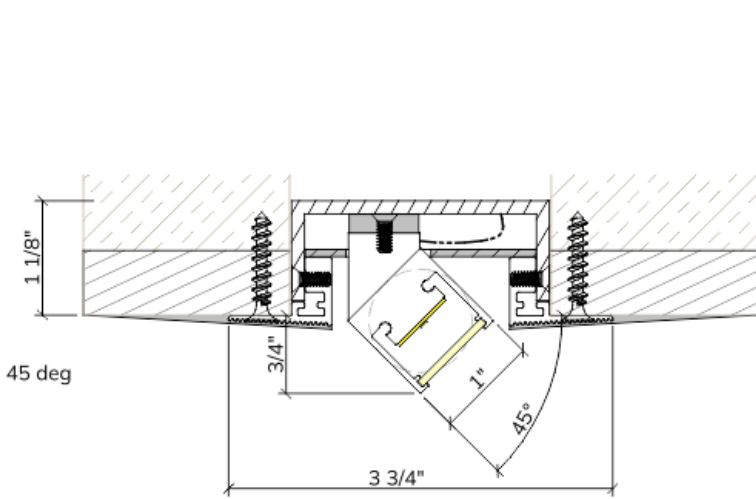
Drivers remote

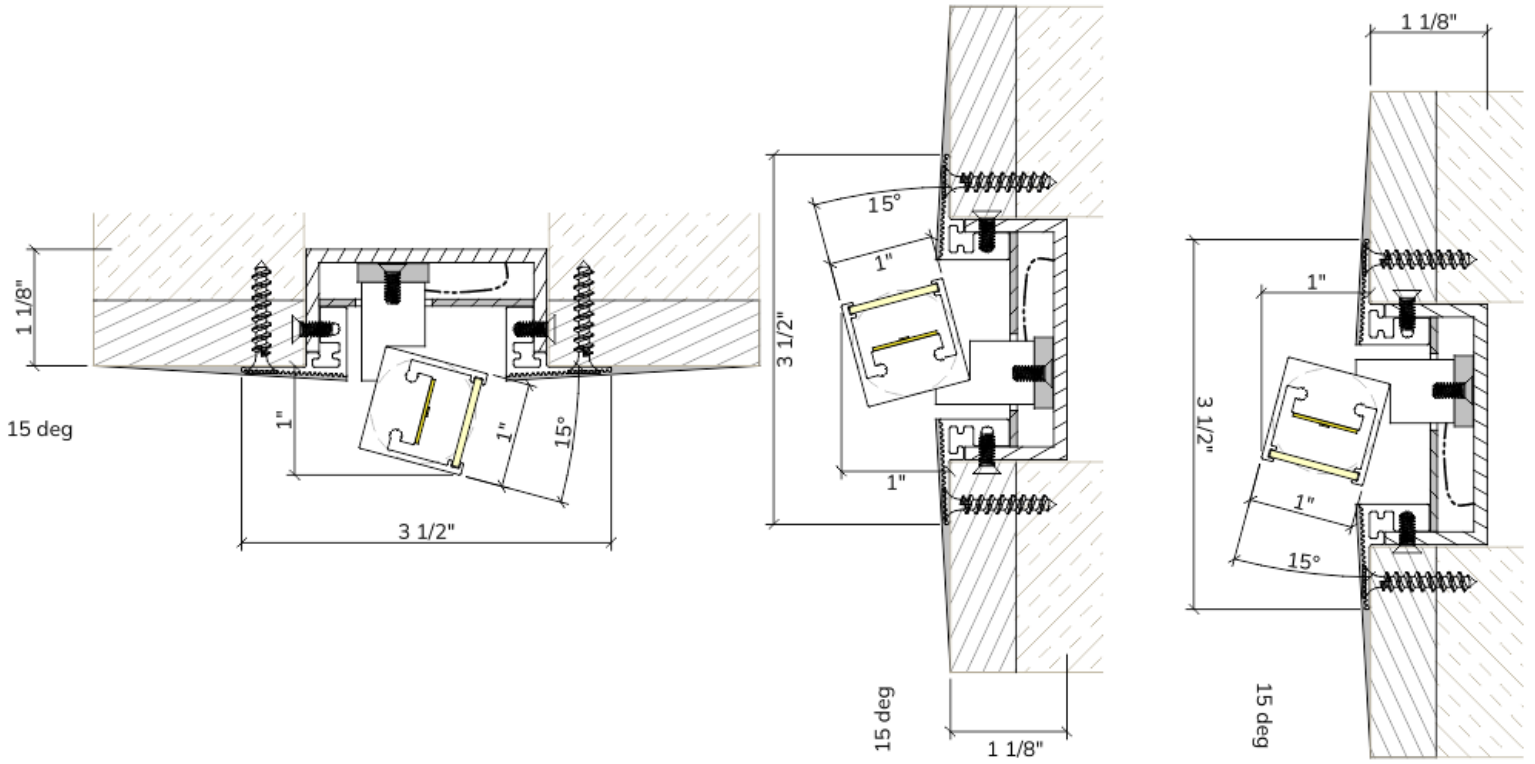
Max distance to drivers 60'

MacAdam 3, more than 90 CRI LED









Driver Boxes

