

archlit reserves the right to make changes without prior notice. (12.02.2022)

Wall mounted Lighting Fixture for outdoors in an enclosure and end caps black in aluminum and polycarbonate, and LED tray in aluminum, O ring at extremities seals the lighting components from water. Dimmable 0- 10V. Individual mounting and runs can be achieved, sharing mounting canopies. Symmetrical or asymmetrical distribution available. Remote drivers.

IP66K rated

DaBoWa

Da Box Wall

### Lighting Fixture

DABoWa - Da Box Wall

### Lumen Output

27 HO - 2700 K 12.5 w/f 910 Lumens/f  
 30HO - 3000 K 12.5 w/f 980 Lumens/f  
 35HO - 3500 K 12.5 w/f 1010 Lumens/f  
 40HO - 4000 K 12.5 w/f 1040 Lumens/f  
 27 - 2700 K 5.5 w/f 384 Lumens/f  
 30 - 3000 K 5.5 w/f 384 Lumens/f  
 40 - 4000 K 384 lumens /f 4.9 w/f

### Output direction

Up - Up  
 Dn - Down  
 Ds - Double sided  
 Only for std output 5.5 w/f. Only std distribution. Assume 11 w/f with both sides.with combinations of outputs A different output up than down implies (2) drivers  
 Criteria from fixture installed on horizontal plane with canopies on top

### Finish

WH - White  
 BK - Black  
 Cu - Custom Color  
 Specify RAL color  
 End caps, hardware, valves and liquid tight devices are black

### Dimming

0 - Non Dimmable 120v  
 1 - Non Dimmable 277v  
 4 - Dimmable 0-10v (4wires, 120 or 277 v)  
 Enclosure for dimmers provided as they are remote. Suitable for damp location. In case of using special boxes for outdoor locations (by others) use archlit boxes in the boxes for splices

### Lengths

B - 2' nominal module  
 C - 3' nominal module  
 D - 4' nominal module  
 E - 5' nominal module  
 F - 6' nominal module  
 G - 7' nominal module  
 H - 8' nominal module  
 Individual fixtures



**Light Distribution**

St - Standard

Sd - Symmetrical 36 degrees

Ad - Asymmetrical

Using asymmetrical in runs, specify qty. of each in product code.

Good for estimates. Provide schemes /drawings to clarify

asymmetrical side. archlit will generate submittals

Specify qty of each per run

**Emergency**

00 - No emergency

EM - Emergency

Max 4' nominal of emergency

Emergency in a run, specify qty of packs. Box for emergency outdoors installed (by others)

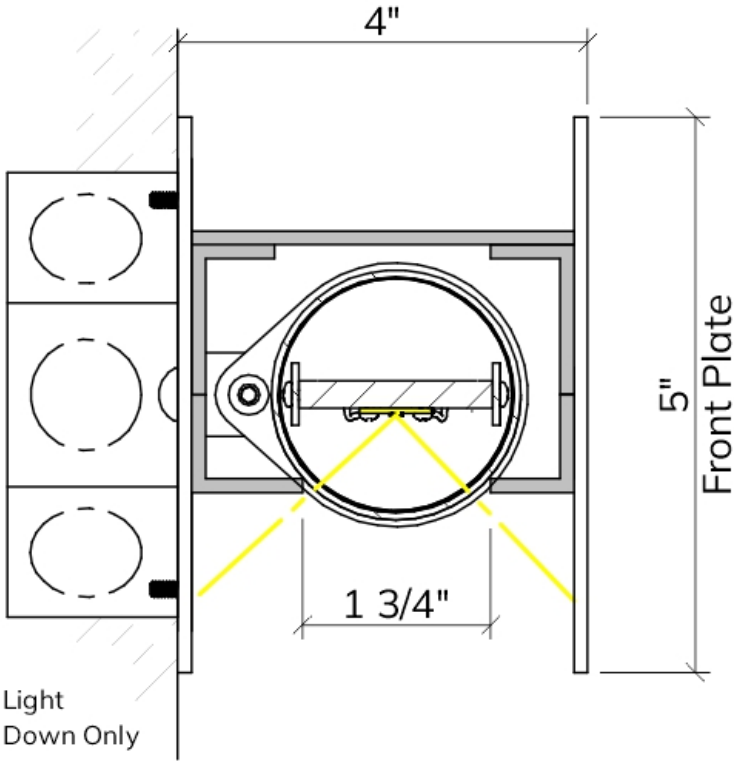
We suggest for one emergency pack and driver Polycase SB-46-02 (1 driver and 1 emergency pack) (by others)

**Notes:**

Drivers are remote at 80' max.

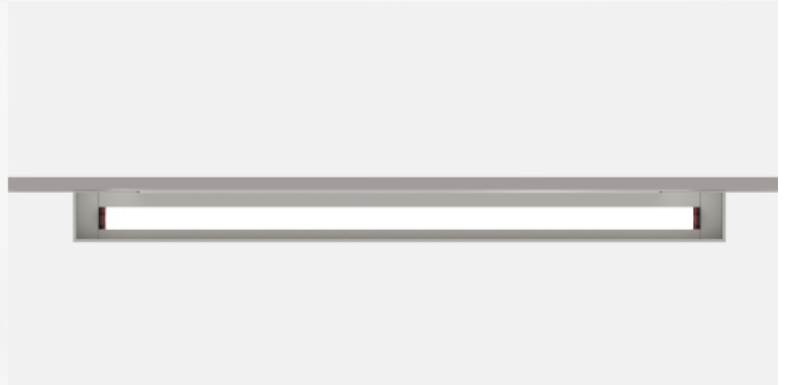
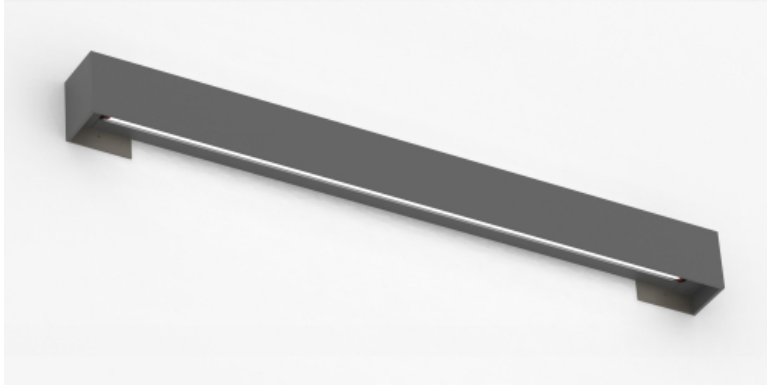
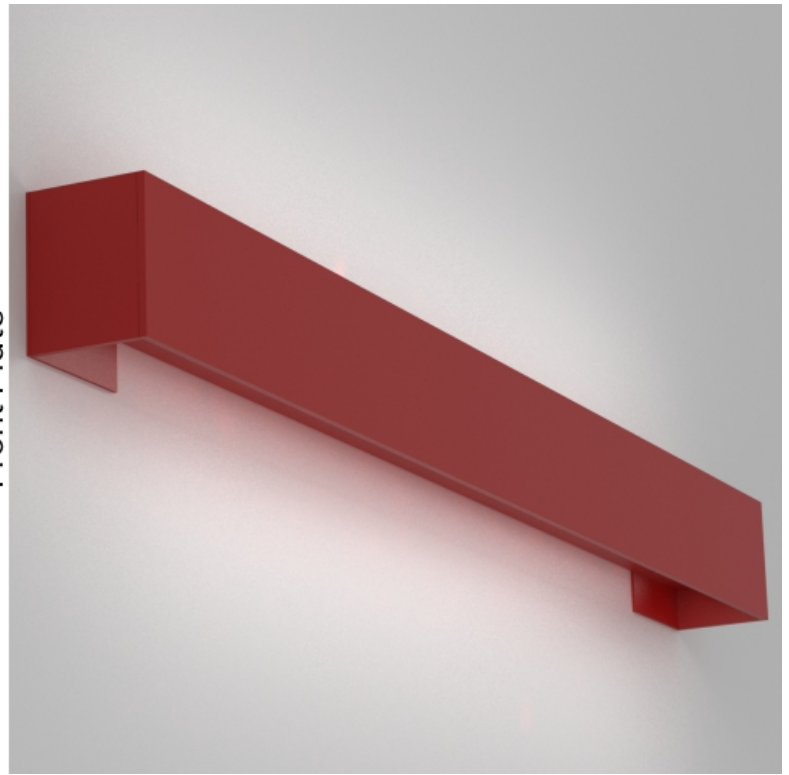
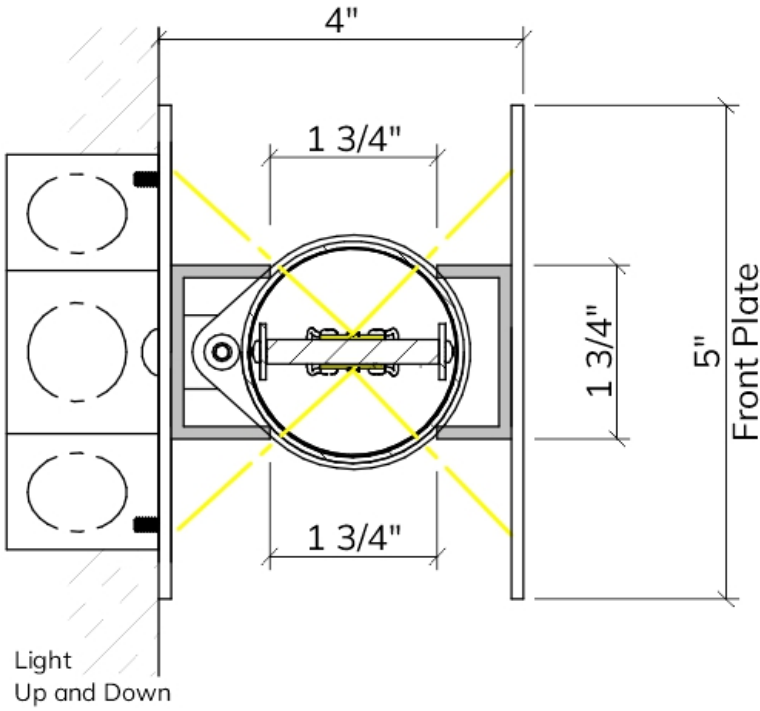
Location of drivers in a cluster with access recommended for easier dimmer and power connections.

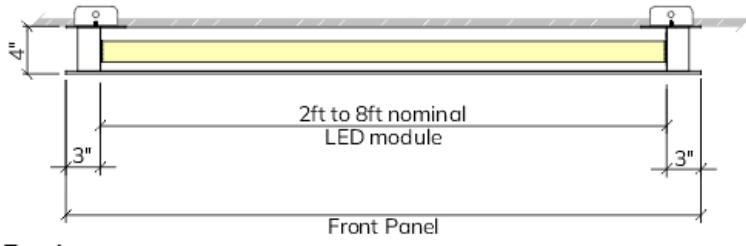
CRI more than 90, McAdam 3 bin



# Da Box Wall

Da / Outdoor





Top view



Front view

	LED module	Length
1' nominal	13 1/4"	19 1/4"
2' nominal	25 1/4"	31 1/4"
3' nominal	35 3/4"	41 3/4"
4' nominal	47 3/4"	53 3/4"
5' nominal	58 1/4"	64 1/4"
6' nominal	70 1/4"	76 1/4"
7' nominal	80 3/4"	86 3/4"
8' nominal	92 3/4"	98 3/4"

Driver Boxes

