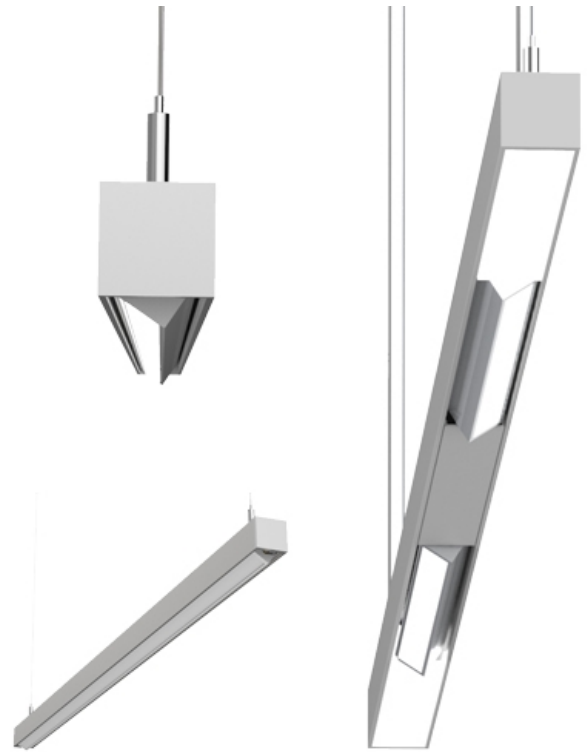
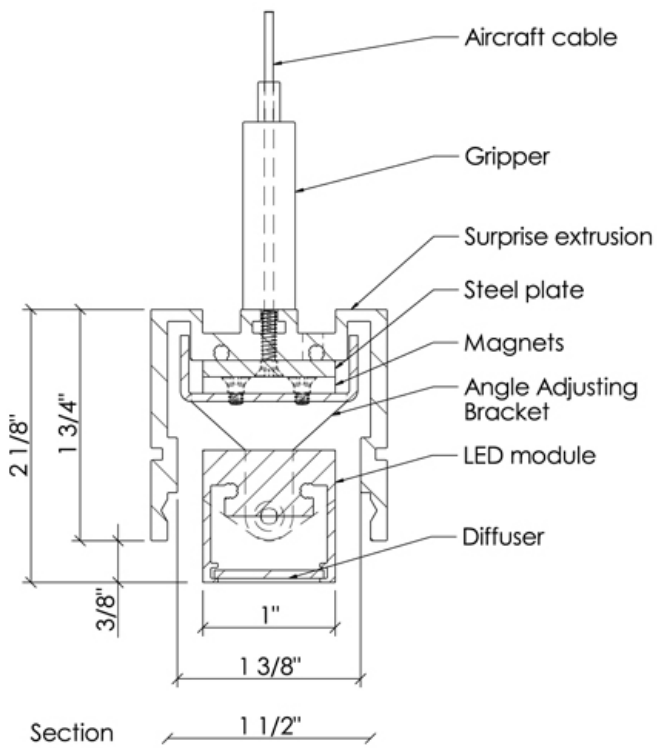


Surprise HueBella Adjustable

Surprise / Pendant



archlit reserves the right to make changes without prior notice. (02.13.2017)

Surprise HueBella system includes adjustable modules, downlight and blind sections. Aluminum extrusion. Film protects the user against seen the dots of the LED boards and diffusing the light. Max 1400 lumen per foot in 3000 K. Available in 2700K and 3000K. CRI more than 90 and max wattage is 13w/foot. Lighting adjustable modules are attached to receiving aluminum by magnets. No tools required for Service of fixtures

Coming soon!

SuHBAPen

Surprise HueBella Adjustable Pendant

Lumen Output

- 27 - 2700 K 1400 lumens 13 w/foot
- 30 - 3000 K 1400 lumens 13 w/foot
- 35 - 3500 k 1400 lumens 13 w/foot

Finish

- WH - White
 - BK - Black
 - CU - Custom Color
- Specify RAL color

Dimming Options

- 0 - Non dimmable 120v
 - 1 - Non dimmable 277v
 - 2 - DIM TRIAC 120 v
 - 3 - DIM TRIAC 277 v
 - 4 - 0-10 v dimmer (4 wires)
- Dimmable TRIAC (2 wires, max 25w, 120v) requires more drivers if run is bigger than 2'

Surprise HueBella Adjustable

Surprise / Pendant

Runs

A - 1' Lighting Adjustable module 12.5w 12.5"

B - 2' Lighting Adjustable module 25 w 24"

C - 3' Lighting Adjustable module 37.5w 35"

D - 4' Lighting Adjustable module 50w 46"

AD - 1' Downlight module 12.5w 12.5"

BD - 2' Downlight module 25w 24"

CD - 3' Downlight module 37.5w 35"

DD - 4' Downlight module 50w 46"

AC - 1' blind cover 12.5"

BC - 2' blind cover 24"

CB - 3' blind cover 35"

DC - 4' blind cover 46"

Total Run: (0 ft 0 in)

If runs can't be specified from this cut sheet, please contact factory with drawing

Add modules for nomenclature purposes for qty and output.

Canopy

RD - Round 4" 4" Jbox

SQ - Square Plate 4"x4"

Suspension Aircraft Cable

36 - 36" max

100 - 100" Max

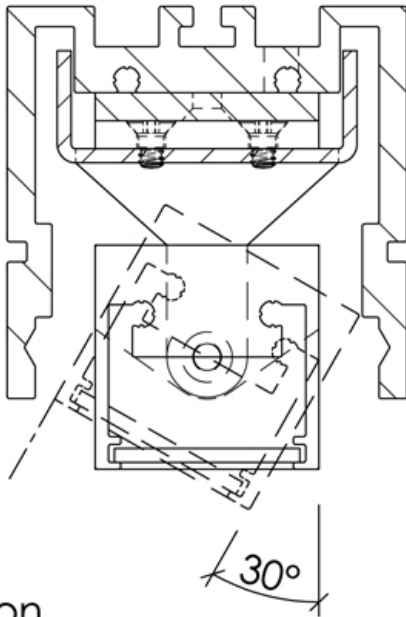
Notes:

Drivers are remote (max distance 100')

Lay out needs to be addressed by drawing. Factory will generate submittals for approvals

Runs are estimated, final runs by submittals

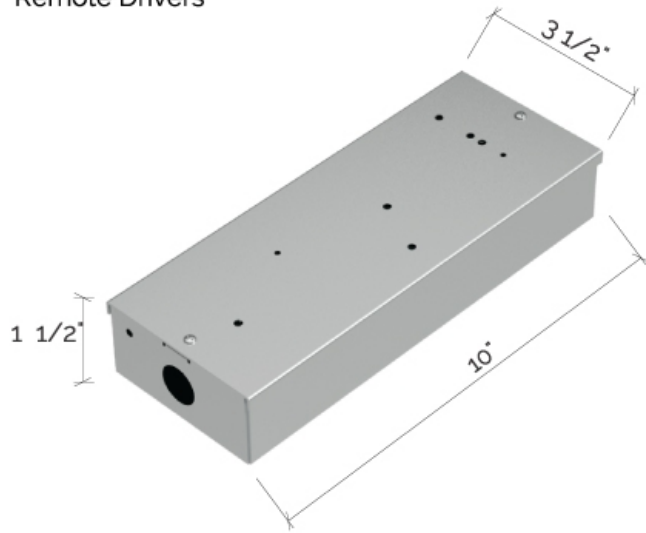
Add 1/4" between modules of different kind. Ad 1/8" between Lighting adjustable modules



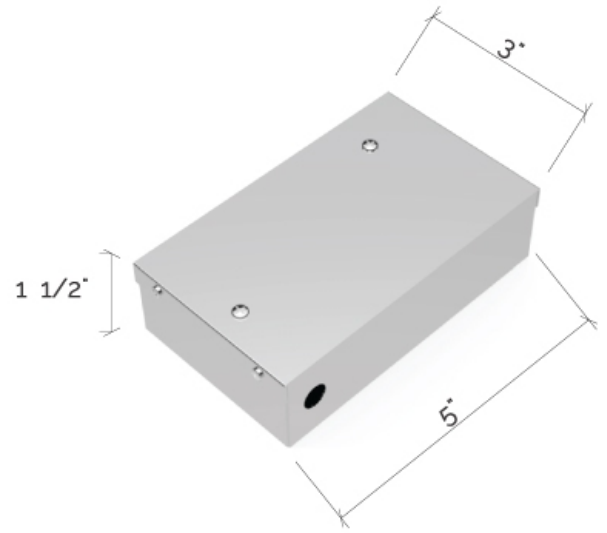
Plans with different configurations by designer



Remote Drivers



Driver Box for Dimm 0-10v
NTS



Driver Box Non Dimm and TRIAC drivers
NTS