

archlit reserves the right to make changes without prior notice. (03.14.2016)

LeeSti MRI Adjustable Recessed Trimless linear, with 3000K and 2700K color temperatures available. With its 3 inch depth allows to aim to the ceiling or to the space. A diffusing film in the lens controls glare and prevents from seeing the lighting source, generating a continuous line of light. Dimmable or non dimmable with 0-10v dimmers (0 to 10%) with 4 wires to connect to control systems or Triac versions with 2 wires that can be used with standard dimmers. Developed for MRI environments, fixture with non ferric materials. Drivers must be at a remote location, shielded or in another room. Damp location listed.

LMARTS

LeeSti MRI Recessed Adjustable Trimless

Lumen Output

- 3017 - 3000 K 1200 lumens / ft 12 w /ft
- 3014 - 3000 K 1000 lumens / ft 10 w /ft
- 3011 - 3000 K 780 lumens / ft 7.5 w /ft
- 3008 - 3000 K 560 lumens / ft 5.5w /ft
- 3005 - 3000 K 350 lumens / ft 3.1 w /ft
- 3517 - 3500 K 1200 lumens / ft 12 w /ft
- 3514 - 3500 K 1000 lumens / ft 10 w /ft
- 3511 - 3500 K 780 lumens / ft 7.5 w /ft
- 3508 - 3500 K 560 lumens / ft 5.5w /ft
- 3505 - 3500 K 350 lumens / ft 3.1 w /ft

WhTu - White tuning 2700K @ 1050 lumens/foot
and 6500k @1200 lumens/foot 12.5 watt/foot

All Uplight versions with light will have a transparent diffuser
Use of programmable drivers allow different outputs (lumen output
and load) to fix color temperature versions

Finish

- WH - White
 - BK - Black
 - CU - Custom Color
- Specify RAL color

Dimming Options

- O - Non Dimmable 120v
 - 1 - Non dimmable 277v
 - 4 - Dimmable 0-10v (4wires, 120 or 277 v)
- Triac dimmers max. 2'. Longer modules need drivers in 2' increments

Runs

A - 1' nominal module 12.5w 12"

Cut Out 3"x 13 1/8"

B - 2' nominal module 25w 23 3/4"

Cut Out 3" x 24 1/2"

C - 3' module 37.5 w nominal 35"

Cut Out 3" x 35 3/4"

D - 4' nominal module 50w 46"

Cut Out 3" x 46 3/4"

Total Run: (0 ft 0 in)

Emergency

00 - No emergency

EM - Emergency

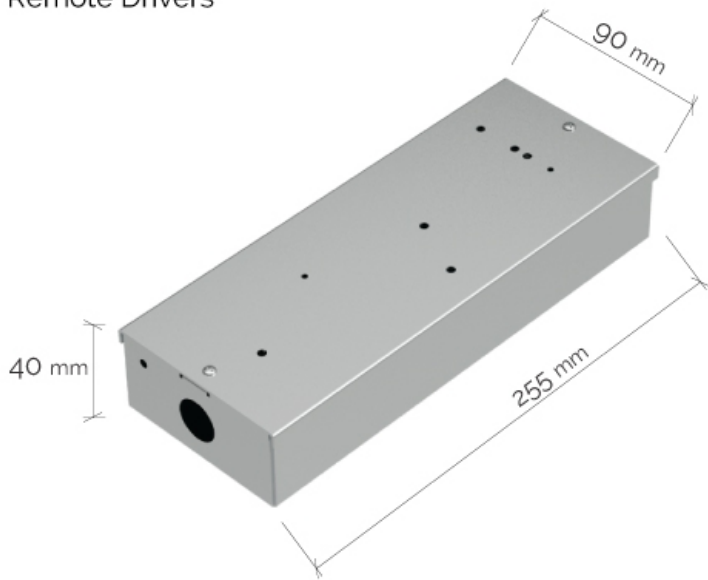
Module max 24". Adding emergency. to a 4' means (2) drivers and (2) emergency packages if want all in emergency. If 4' has 2' with emergency and 2' without it, will have (2) drivers and(1) emergenc

Notes:

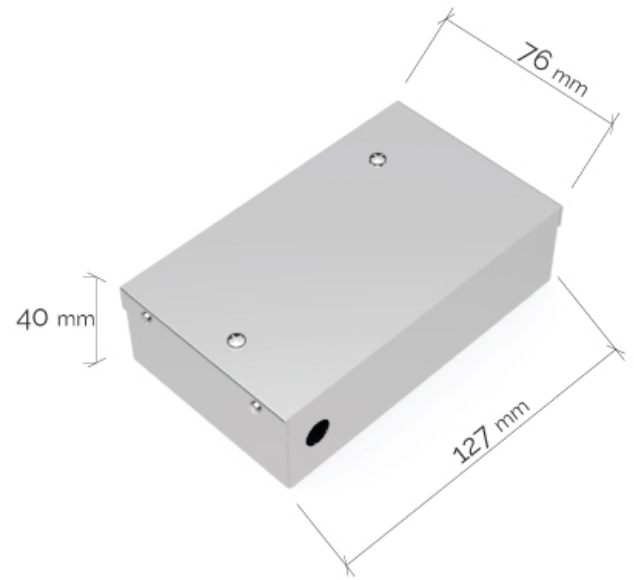
Drivers are remote

Max distance to drivers 100'

Remote Drivers



Driver Box for Dimm 0-10v
NTS



Driver Box Non Dimm and TRIAC drivers
NTS

