



archlit reserves the right to make changes without prior notice. (01.17.2017)

Naso is an indirect cove system in aluminum extrusion featuring mud-in precision knife edge for streamlined effect. The transition between the drywall ceiling and the "nose" is trimless. Powder coated finish and components for alignment of segments (4', typical, and fillers) are supplied.

LeeSti cove lighting modules are included as part of the assembly in 1" x 1" section in extruded aluminum. Adjustable with diffusing film so source is not perceived.

Drivers are remote and can be dimmable (0-10v - 4 wires for central dimmer systems or Triac -2 wires for standard dimmers). 12.5 w per foot in 2700K or 3000K. Remote drivers at 100' max from the fixture. Max length of 4' for non dimmable or 0-10v dimmer. 4' for Triac version requires 2 drivers.

## LNaso

### LeeSti Naso

#### Lumen Output

3017 - 3000 K 1200 lumens / ft 12 w /ft  
3014 - 3000 K 1000 lumens / ft 10 w /ft  
3011 - 3000 K 780 lumens / ft 7.5 w /ft  
3008 - 3000 K 560 lumens / ft 5.5w /ft  
3005 - 3000 K 350 lumens / ft 3.1 w /ft  
3517 - 3500 K 1200 lumens / ft 12 w /ft  
3514 - 3500 K 1000 lumens / ft 10 w /ft  
3511 - 3500 K 780 lumens / ft 7.5 w /ft  
3508 - 3500 K 560 lumens / ft 5.5w /ft  
3505 - 3500 K 350 lumens / ft 3.1 w /ft

WhTu - White tuning 2700K @ 1050 lumens/foot  
and 6500k @1200 lumens/foot 12.5 watt/foot

All Uplight versions with light will have a transparent diffuser

Use of programmable drivers allow different outputs (lumen output and load) to fix color temperature versions

#### Finish

WH - White  
BK - Black  
CU - Custom Color  
Specify RAL color

#### Dimming

O - Non Dimmable 120v  
1 - Non Dimmable 277v  
4 - Dimmable 0-10v (4wires, 120 or 277 v)  
TRIAC drivers max 2 boards or 24"  
A 4' lighting module requires (2) TRIAC drivers

Remote drivers max 100'



**Runs**

- A - 1' module 12.5w 12 5/8"
- B - 2' module 25w 23 3/8"
- C - 3' module 37.5 w 34 5/8"
- D - 4' module 50w 45 5/8"

Total Run: (0 ft 0 in)  
Runs Lighting Modules

Add 1/8" between modules

**Runs Straight Naso extrusion**

- AN - 1' module
- BN - 2' module
- CN - 3' module
- DN - 4' module
- HN - 8' module

For special not having a multiple exact of modules please round up with published modules

**Connectors Naso**

- NCi - Naso connector interior 90 degrees  
Specify qty
  - NCiCU - Naso connector interior Custom  
Specify angle and qty
  - NCo - Naso connector outside 90 degrees  
Specify qty
  - NCoCU - Naso connector outside Custom  
Specify angle and Qty
- Connectors are i (internal) or o (outside), they are related with the position of the wall

Lengths of corners compute as linear feet

**Emergency**

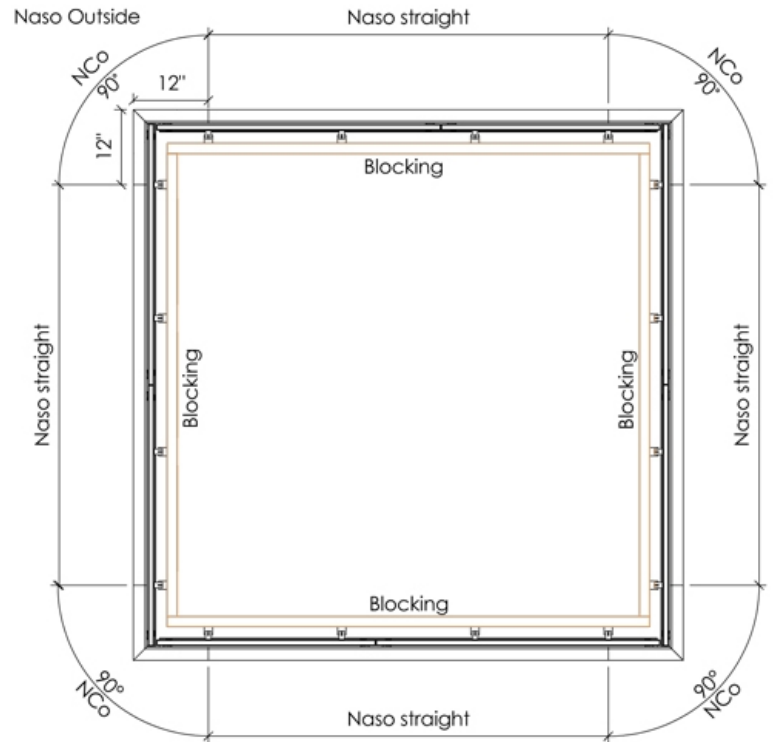
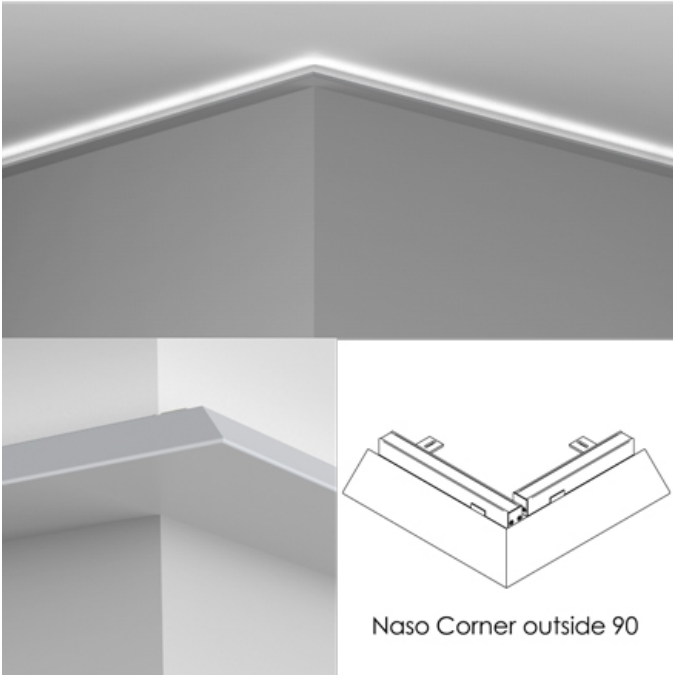
- 00 - No Emergency
- EM - Emergency  
Specify qty of lighting modules in emergency (max lighting module length for emergency pack is 4') for each pack.  
Distance max to emergency packs is 50'

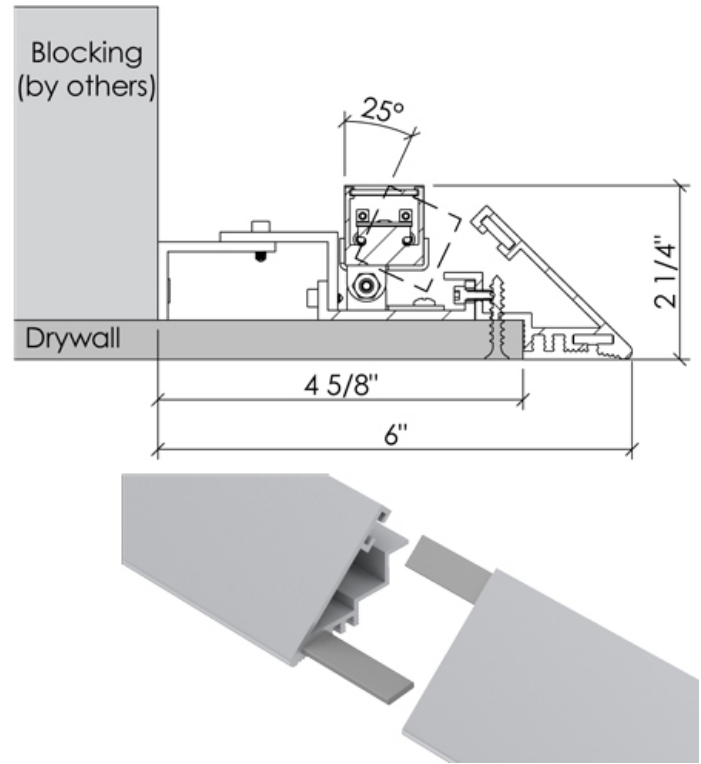
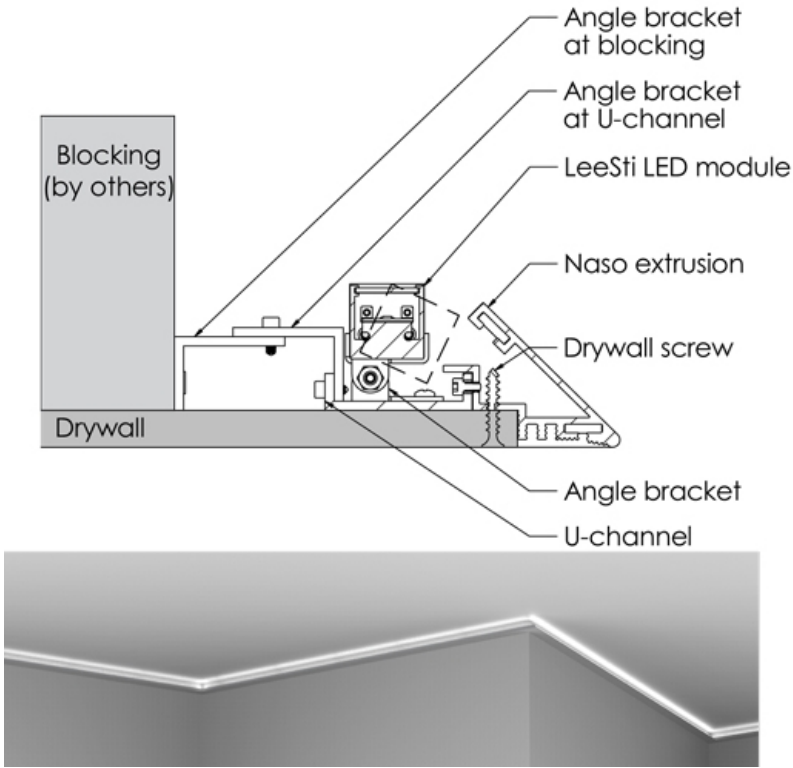
**Notes:**

- Drivers are remote
- Max distance to drivers 100'
- For budgeting purposes please work with linear feet of extrusions and specify qty of corners

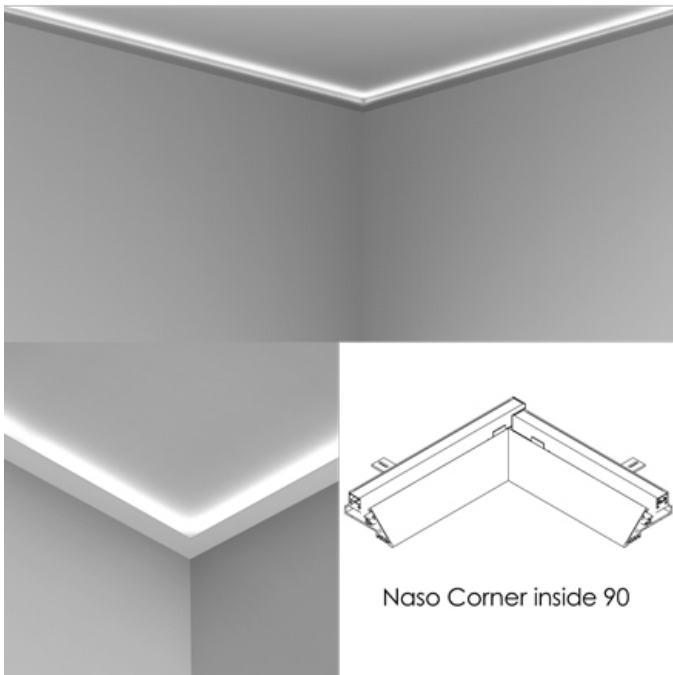
For Special sizes and figures please submit drawings

**Naso Corners outside NCi**

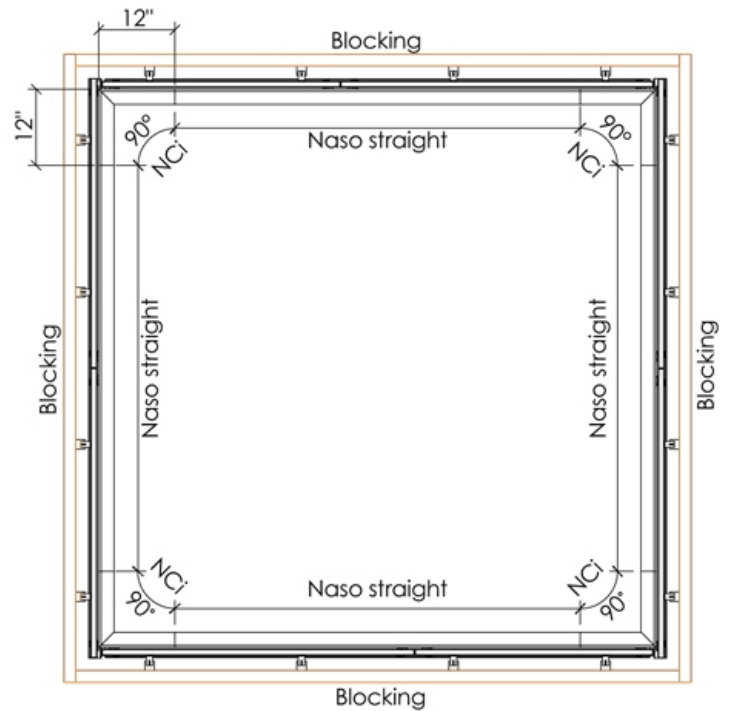




**Naso Corners inside NCI**

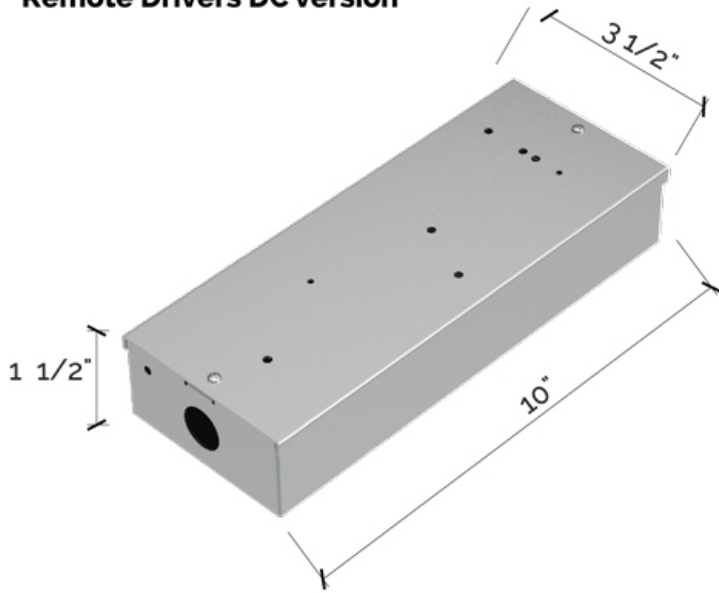


**Naso with 4-Inside corners**

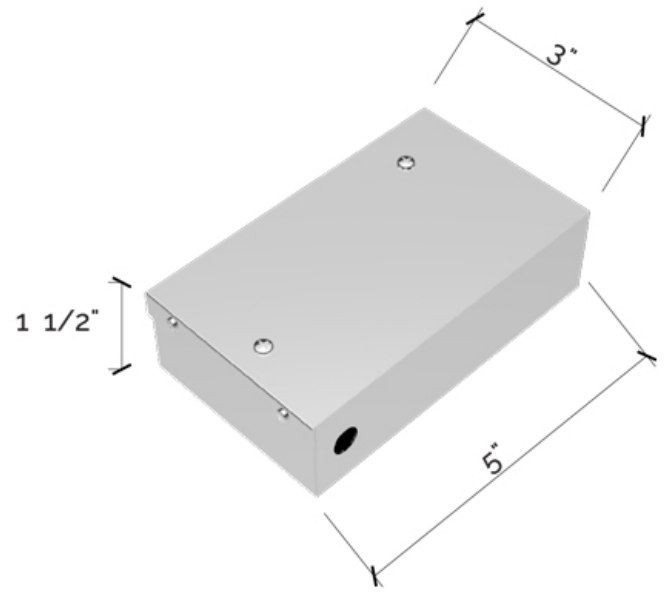




**Remote Drivers DC version**



Driver Box for Dimm 0-10v  
NTS



Driver Box Non Dimm and TRIAC drivers  
NTS

