

Plan of Typical corner

archlit reserves the right to make changes without prior notice. (06.02.2020)

LeeSti Legato Trimless, Legato (from music without breaks between notes) generates a transition between corner walls with lighting. The grazing of the wall is generated by lighting modules in 1, 2 and 4 feet (3 feet upon request but affects pricing). These modules are installed without tooling and have protective film for not seen the dots from bellow. For big heights the modules can have no film increasing the output. Fixture is at 1 1/2" from exterior of wall so there is no perspective to see the lighting source. Dimmable, with TRIAC or 0-10v. Damp location listed. The fixture generates the finish between the walls, when off it generates a reveal in shadow, when on a reveal with light.

## LLWT

### LeeSti Legato Wall Trimless

#### Lumen Output

- 27 - 1300 lumens/foot 2700K 12.5w
- 30 - 1400 lumens /foot 3000K 12.5w
- 35 - 1450 lumens/foot 3500K 12.5

#### Finish

- WH - White
- BK - Black
- CU - Custom
- Specify RAL color

#### Dimming Options

- 0 - Non Dimmable 120V
- 1 - Non Dimmable 277V
- 2 - DIM TRIA 120v
- 3 - DIM TRIA 277v
- 4 - Dimmable 0-10v (4wires, 120 or 277 v)
- Dimmable TRIAC (2 wires, max 25w, 120v) requires more drivers if run is bigger than 2'

#### Runs

- A - 1' nominal module 12.5w 12 1/2"
- B - 2' nominal module 25w 23 1/2"
- C - 3' nominal module 37.5 w 35"
- D - 4' nominal module 64w 46 1/2"

Total Run: (0 ft 0 in)

Specify total length. Specify qty of each modules per run.

Example:

Run g' (2) D + (1) A

this configuration will have (2) end caps and (2) middle caps

#### Emergency

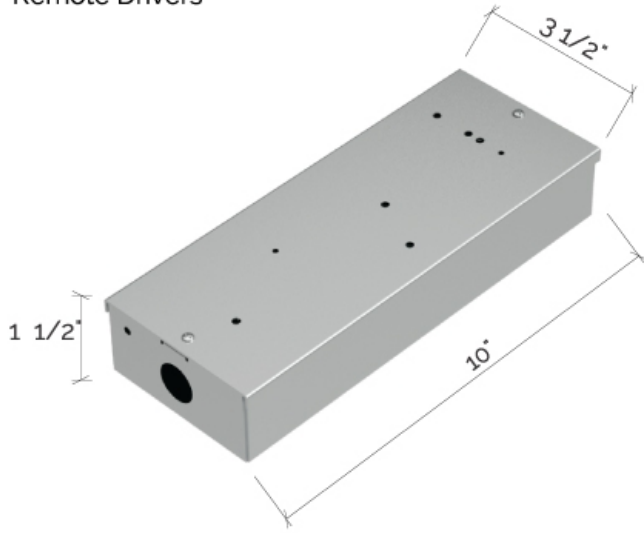
- 00 - No Emergency
- EM - Emergency module max. 24"
- Adding emergency to a 4' means (2) drivers and (2) emergency packages if want all in emergency
- If 4 has 2 with emergency and 2 without it, will have (2) drivers and (1) emergency package

#### Notes:

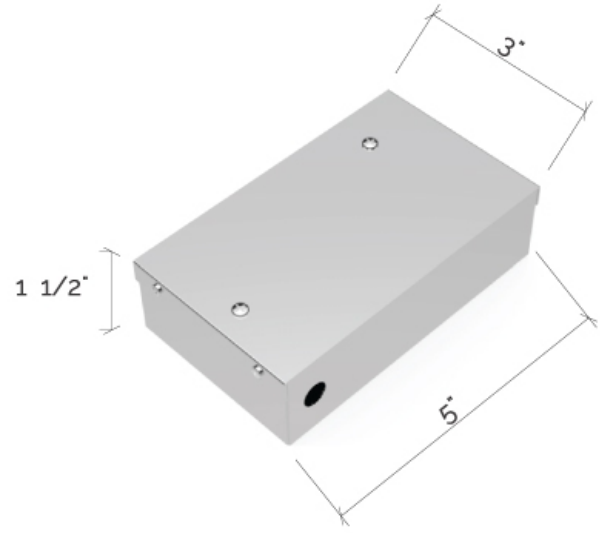
- Drivers Remote. Max distance to drivers 80'
- Runs with 1', 2' and 4' modules
- MacDam 3
- More than 90 CRI



Remote Drivers



Driver Box for Dimm 0-10v  
NTS



Driver Box Non Dimm and TRIAC drivers  
NTS

